



**ELECTRIC
BOILING KETTLES**

**INSTRUCTION FOR INSTALLATION AND USE
DIE GEBRAUCHS UND INSTALLATIONSANWEISUNG
NOTICE D'INSTALLATION ET D'EMPLOI
NÁVOD K OBSLUZE A INSTALACI
UPUTSTVO ZA INSTALACIJU I UPOTREBU**



BI 780 E

CE
1015-22

www.rmgastro.com





CONTENT

Declaration of a standards conformity	3
Instruction for use	7
Cleaning and maintenance	10



INHALT

Die Normenübereinstimmungsdeklaration	11
Gebrauchsanweisung	14
Die Reinigung und Instandhaltung	17



CONTENU

Déclaration de conformité	18
Mode d'emploi	21
Nettoyage et entretien	24



OBSAH

Prohlášení o souladu s normami	29
Návod k použití	34
Čistění a údržba	36



SADRŽAJ

Izjava o saglasnosti sa normama	41
Uputstvo za upotrebu	46
Čišćenje i održavanje	47

DECLARATION OF A STANDARDS CONFORMITY

The producer confirms that the devices agree with 2014/30/EU, 2014/35/EU standards, rule nr. 117/2016 sb., 118/2016 sb. and with relevant government orders. Instalation must be done with respect to valid standards. Attention, the producer refuses any responsibility in case of direct or indirect damages which are caused due to wrong instalation, incorrect intervention or modification, insufficient maintenance, incorrect use and also possibly caused by other reasons presented by items in sale conditions. This appliance is set only for skilled use and must be operated by qualified persons only. Parts set and secured by the producer or accredited person must not be rebuilt by user.

TECHNICAL DATA

Label with technical data is placed on the back side of the device. Study the electrical diagram of connection and all following information before instalation.

Product type	Duplicator	Boiler volume (l)	Output (kW)	Supply voltage (V/Hz)	Dimensions (cm)
BI - 780 E	yes	50	12	400/3N/50	80x73x90 v

PACKING AND DEVICE CHECK

The device leaves our stocks properly packed with appropriate symbols and labels. There are also appropriate instructions for use. In case the packing shows bad handling or damage, it must be reclaimed at transporter immediately by writing and signing of a damage protocol.

Important notice:

-This product is only intended for use inside.

Never use the appliance if it has a damaged supply cable or plug, if it is not working correctly, has fallen to the ground and been damaged or fallen into water. In such cases take the appliance to a professional service in order to verify that it is safe and works correctly.

- only for professional use
- this instructing guide must be read properly and carefully because it contains important information about safety elements, installation, use
- these recommendations refer to this product
- this product corresponds with valid standards
- this guide must be properly deposited for future use
- keep the children away from manipulation with the product
- when selling or moving the product to another place it is necessary to make yourself sure that the staff or the professional service has got acquainted with control and installation instructions from enclosed guide
- only authorised person can operate the product
- it can not be switched on without supervision
- we recommend to have the product checked by professional service min. once a year
- only original spare parts can be used for repairs
- the product can not be cleaned by the water jet or pressure shower
- by damage or break down disconnect all the feeders (water, gas, electricity) and call professional service
- producer refuses any responsibility in case of damages caused by wrong installation, by disobeying of above mentioned recommendations or by other use etc.

PLACEMENT

The device must be installed in well ventilated room what is necessary for regulation of the function of the device (technician must go by valid standard (EN....)). If the device is situated close to the wall or if it is in contact with the furniture walls, these walls must resist the temperatures ranging to 90°C. Installation, setting, putting into operation must be done by qualified person who is competent for this and according to the valid standards.

Wrap up the device and check whether it was not damaged during transport. Settle the device on horizontal surface (max imbalance 2°).Settle the device under the fumehood to eliminate water steam and bad smell. The device can be installed separately or in a set with devices of our production. Min. distance 10 cm from other subjects must be kept.It is also necessary to prevent our product from contact with combustible materials. In this case you must make corresponding changes to secure heat izolation of combustible parts. Safety measures from the standpoint of the fire protection according to EN 061008čl. 21:

TECHNICAL INSTRUCTIONS FOR INSTALATION AND REGULATION

Important:

The manufacturer does not provide warranty for defects caused by improper use, failure to instructions contained in the attached instructions for use and mistreatment of the appliances.

Installation, adjustment and repair of appliances for kitchens, as well as their removal because of possible damage to the gas can be carried out only under a maintenance contract, this contract may be signed with an authorized dealer, and must be complied with regulations and technical standards and regulations regarding the installation, power supply, gas connection and health & safety system.

These instructions are intended for the qualified technician who must perform the installation, put it into operation and test the appliance.

Any activity as settings, placement, rebalancing etc, must be made only when is device disconnected from electricity. If it is necessary to have the device connected to the electricity you must keep the highest attention to avoid any injuries.

DEVICE INSTALATION

Installation, setting, rebuilding for another gas type, putting into operation must be done by qualified person who is competent for this and according to the valid standards. The device can be installed in good ventilated room. When it is possible place the device under the fumehood to suck off the products of combustion. Air needy to the burning is 2m³/h/kW of the performance of the installed device. The device can be installed separately or in a set with devices of our production. Min. distance 10 cm from other subjects must be kept.It is also necessary to prevent our product from contact with combustible materials. In this case you must make corresponding changes to secure heat izolation of combustible parts (for example:place between the device and combustible material azbestos plate).


CONNECTION OF THE ELECTRIC CABLE TO THE ELECTRICITY

Installation of electric feeder - This feeder must be separately protected by a safety fuse according to the specific electric stream which depends on the wattage of the installed device. Check the wattage on the label at the back of the device. Connect the device directly to the electricity but you must put the switch between the device and electric net. The switch must be placed in min. distance 3 mm between the particular contacts according to the standards and loading. The feeder of grounding (yellow-green) cannot be interrupted by this switch. In every case feeding cable must be placed so that no point of the cable will reach the temperature which is 50°C higher than the temperature of the surrounding. Before connecting the device check that:

- safety fuse of the feeder and inner mains can stand the loading of the device (see label of the matrix)
- mains are equipped with effective grounding according to standards (ČSN) and conditions given by law
- socket or switch of the feed is well accessible from device

We refuse any responsibility in case of not respecting above mentioned rules. Before the first use it is necessary to remove all the protection foil and to clean the device - see chapter „cleaning and maintenance“.

Maintenance: We recommend to have the device checked once a year by the professional service. Only qualified or competent persons can do interventions in the product.

-  -Do not insert the power cable plug into the el. socket and do not pull it out of the el. socket with wet hands or by pulling on the cable!
-Do not use extension cables or power strips.

WATER CONNECTION

Water connection is performed with hose threaded G1/2. The water supply must be equipped with a separate valve which is freely available and within range of the device. The equipment includes a check valve.

- Water hardness must be in range 0,5 - 5 ° French degree.

IF HIGHER, IT IS NECESSARY USE WATER SOFTENING SYSTEM.

- Water pressure must be within range 50 - 250kPa.
- Volume of chlorine in the water shall not be higher than 10ppm, or you risk bath surface damage
- Acidity of water must be higher than 7 pH.
- Electrical conductivity: 50 - 2000uS/cm (20°C)
- The connection must be made according to directive EN 1717 and with valid to national directives for aquaculture.

SAFETY MEASURES FROM THE STANDPOINT OF THE FIRE PROTECTION ACCORDING TO EN 061008 ČL. 21

- only adults can operate the device
- device must be safely used in common surroundings according to EN 332000-4-462; EN 332000-4-42. You must switch the gas device off under the circumstances leading: to the danger of the temporary rise of the combustion gas or steam or during works when there is a big possibility of rise of the temporary fire danger or explosion (for example: to stick linoleum, PVC etc.).
- before you start to instal the device you must get the licence for connection to the gas feeder from the gasworks
- device must be placed so as to stand or hang on the noncombustible surface which is on each side 10 cm larger than the device. No subjects from combustible materials can be placed directly on the device or in distance which is shorter than safety distance (the shortest distance is 50 cm in the direction of the heat emission and 10 cm in other directions).- safety distances from various materials of different degree of combustion and information about the degree of comb. of common building materials - see chart:

Chart:

Combustion degree of building materials classified according to the combustion degree of materials and products (EN 730823)

A noncombustible	granit, sandstone, concretes,bricks, ceramic wallfacing tiles, plaster
B uneasily combustibile	akumine, heraklite, lihnos, itavere
C1 hardly combustibile	leafy wood, plywood, sirkoklit, rare paper formica
C2 middle combustibile	fibreboards, solodure, cork boards, rubber,floor-coverings
C3 easily combustibile	wood-fibreboards, polystyrene,polyurethane, PVC

Devices must be instalated in a safe way. When instaling you must respect corresponding project, safety and hygienic orders according to:

- EN 061008 fire protection of local devices and sources of heat
- EN 332000 (33 2000-4-482; 33 2000-4-42) surrounding for electric devices ČSN EN 1775 Gas supplying
- Gas fi ttings in the buildings - the highest operational pressure < 5 bar - operation demands
- § 10 law nr. 185/2001 Sb. about waste

INSTRUCTIONS FOR USE

Before you start the boiler check that the duplicator is filled with water. The water level must reach the height of the inspection tap (pic. 2 pos. 6). If no water comes out of this tap when it is opened, the duplicator must be filled. Fill it with water by pressing the duplicator water supply button (pic. 1), which you should hold down until water starts coming out of the opened tap. Close the tap when water coming out of it.

Controls

Set the energy regulator (pic. 1, pos. B) to “MAX“ and then turn the switch (pic. 1 pos. A) 90° to the right or left. This sets the device to maximum output. Turn the switch another 90° to set the device to medium output. Output can be reduced further using the energy regulator, as the switch is turned to a lower value = lower output. The energy regulator can also be used in the event that the switch is set to maximum output.

After setting the switch to maximum or medium output, a green pilot light comes on (pic. 1 pos. C) and the boiler begins to heat up. This is signalled by an orange pilot light coming on (pic. 1 pos. D). In the event that this pilot light does not come on it means that the energy regulator is not set to “MAX“, or that the pressure in the duplicator is sufficient and the pressure switch has interrupted the heating process.

Use the water supply tap on the upper plate of the boiler to fill the cooking area with water. Open the lid, turn the arm above the boiler area and turn the water on. After the boiler is full, turn the water off and turn the arm so that it is in parking position and close the boiler lid.

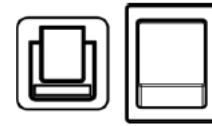
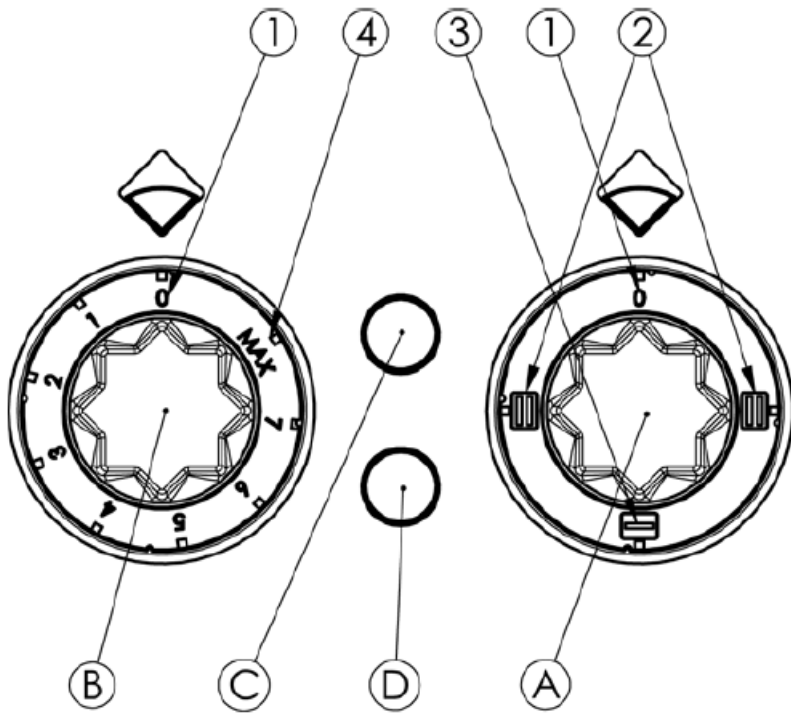
If the duplicator boils dry during operation immediately switch the boiler off. The duplicator can only be refilled after the boiler cools down. The duplicator could be damaged if this instruction is not followed!

The maximum water level is 40 mm below the upper edger of the tank. Remember that the water level will rise when the food to be cooked is inserted!

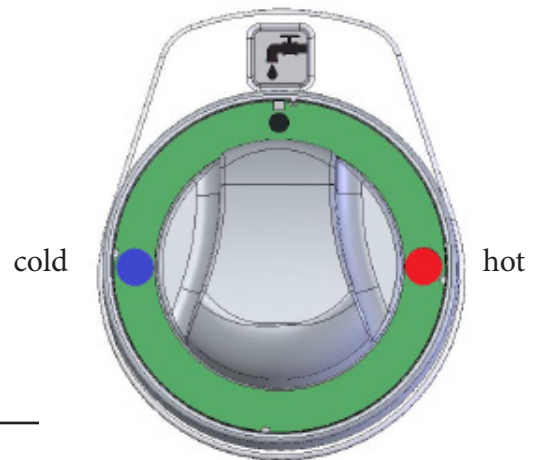
WARNING

The warrantee does not apply to any the expendable parts subject to regular wear (rubber seals, light bulbs, glass and plastic parts, etc.). The warrantee also does not apply to the device if it is not installed in compliance with the instructions – by an authorised employee according to the corresponding standards and if the device is handled by unauthorised individuals (intervention in the internal mechanism) or was operated by untrained personnel in conflict with the instructions for use, it also does not apply to damage as a result of natural forces or other external forces. Take the transport packaging and the device itself after its service life elapses to a waste recycling centre.

Control elements



duplicator water supply button



A – switch	1 – off position
B – energy regulator	2 – full output
C – green pilot light	3 – medium output
D – orange pilot light	4 – full output

AUTOCLAVE MANUAL INSTRUCTION

Autoclave system does works in the same way as Papin pressure pot. For its safe operation the operator must ensure, that while in use all 4 shutters must be tight at maximum allowed level.

ATTENTION!!!

Before lid opening during operation is necessarily to depressurized kettle via safety valve placed in the middle of the lid otherwise serious injury might be caused.

NEVER RELEASE SHUTTERS DURING OPERATION WITHOUT DEPRESSURIZING THE INDIRECT HEATING KETTLE.

The manufacturer does not take any liability for injuries or property damage in case of misconduct of safe operation.

fig. A



Before you start the boiler check that the duplicator is filled with water. The water level must reach the height of the inspection tap. If no water comes out of this tap when it is opened, the duplicator must be filled. Refill in the water, using the filling valve (Fig. A). Keep refilling until the water starts flowing out of the open tap. As soon as the water stops flowing, close the valve when water coming out of it.

WARNING!

Never refill water in the duplicator while the boiler is in operation, or if the water in the duplicator is hot.

!!! DANGER OF INJURY OR DAMAGE OF THE DUPLICATOR !!!

CLEANING AND MAINTENANCE

MAINTENANCE

We recommend that the device be inspected at least twice a year by an expert servicing facility. Only a qualified individual, who is licensed to do so, may perform work on the device.

Warning! Before you begin to use the device you must remove the protective sheeting from the whole stainless steel surface, wash it well using water with washing up liquid and then wipe it with a rag soaked in clean water.

Never use the device if the duplicator is empty of water! This may cause damage to the device! Regularly check the water level in the duplicator and refill it.

If used for an extended period the appliance must undergo regular maintenance for safe use, we recommend you sign a servicing contract for this purpose.

Maintenance must only be performed by authorised servicing technicians, who follow the valid standards and regulations and advice contained in these instructions. The optimum frequency of preventive inspections is once every six months, if the device is used extensively an inspection once every three months is recommended. Preventive inspections help prevent more extensive malfunctions thereby economising operation of the device.

CLEANING AND MAINTENANCE:

Everyday cleaning of the device guarantees its perfect function and extended service life. Clean stainless steel parts using a moist rag with washing up liquid. Do not use cleaning products containing chloride or abrasives. After cleaning, wipe with a moist rag without washing up liquid.

Advice for cleaning individual components:

Thoroughly wash the boiler tank and wipe dry. Use washing up liquids intended for professional kitchens, intended for cleaning stainless steel items, to clean the device. In exceptional cases stains may appear in the internal duplicator container during operation of the boiler, these do not influence the functionality or health & safety, they are not a defect and cannot be the subject of a customer claim. Open the drainage valve and flush with clean water. Never drain the contents of the boiler without using a drain strainer. This could result in the valve becoming clogged and destroyed.

Every day after use the areas of friction on the drainage valve must be lubricated using food grade vaseline. The vaseline also ensures that the conical cock does not leak.

Procedure in case of defects:

Close the water supply and disconnect the electricity supply, immediately call the servicing organisation. If the device remains unused for an extended period close the water supply and disconnect the electricity supply.

DIE NORMENÜBEREINSTIMMUNGSDEKLARATION

Der Produzent erklärt, daß die Geräte in einer Übereinstimmung mit den Vorschriften der 2014/35/EU, 2014/30/EU dem Gesetz Nr. 118/2016 sb., 117/2016 sb. der Sammlung und zugehörigen Regierungsverordnungen stehen. Die Installation muss mit der Absicht auf geltende Normen durchgeführt werden. Vorsicht, im Falle einer direkten oder indirekten Beschädigung, die sich auf falsche Installation, unrichtigen Eingriff oder Anpassungen, ungenügende Instandhaltung, unrichtige Verwendung beziehen, und welche eventuell durch andere Ursachen, als in Punkten der Verkaufsbedingungen angeführt ist, so verzichtet der Importeur auf jegliche Verantwortung. Dieses Gerät ist nur für fachliche Verwendung bestimmt und muß durch qualifizierte Person bedient werden. Teile, die nach der Einstellung durch den Hersteller oder durch befugte Person gesichert wurden, dürfen vom Benutzer keineswegs umgestellt werden.

DIE TECHNISCHEN DATEN

Das Schild mit technischen Angaben ist auf der Rückseite des Gerätes angebracht. Studieren sie vor der Installation das elektrische Schema der Einschließung und alle folgende Informationen durch.

Model	Duplikator	Kessel-Volumen (l)	Aufnahmeleistung (kW)	Spannung (V/Hz)	Masse (cm)
BI - 780 E	yes	50	12	400/3N/50	80x73x90 v

DIE VERPACKUNGS-, UND VORRICHTUNGSKONTROLLE

Die Vorrichtung verlässt unsere Lager in ordentlicher Verpackung, auf deren die entsprechenden Symbole und Bezeichnungen stehen. In der Verpackung befindet sich entsprechende Bedienungsanweisung. Falls die Verpackung eine schlechte Behandlung oder Anzeichen der Beschädigungen vorweist, muß dieses sofort beim Transporteur reklamiert werden und zwar durch Unterzeichnung eines Schadensprotokolles.

Wichtige Hinweise

-Das Erzeugnis ist nur zur Verwendung im Innenraum bestimmt.

Verwenden Sie den Verbraucher nie, wenn die Speisezuleitung oder der Stecker beschädigt sind, das Gerät nicht richtig arbeitet, ist auf den Boden gefallen und hat sich beschädigt oder ist ins Wasser gefallen. Bringen Sie in solchen Fällen den Verbraucher zu einem Fach-Kundendienst zur Überprüfung seiner Sicherheit und richtiger Funktion.

- Nur für professionellen Verbrauch geeignet
- Diese Bedienungsanleitung muss ordentlich und bedächtig gelesen werden, weil sie wichtige Informationen über Sicherheitsmerkmale, Installation und Anwendung beinhaltet
- Diese Empfehlungen beziehen auf diesen Produkt
- Der Produkt entspricht geltenden Normen
- Diese Anleitung muß ordentlich für die zukünftige Verwendung hinterlegt werden
- Hindern Sie den Kinder an Vorrichtungsmannipulation
- Beim Verkauf oder Verlegung ist es notwendig sich zu überzeugen, daß die Bedienstperson oder Fachservis sich mit der Beherrschung und Installationsanweisung in beiliegender Anleitung, anvertraut gemacht haben.
- Das Produkt darf nur eingeschulte Bedienung bedienen
- Das Produkt darf nicht ohne Aufsicht ins Betrieb gesetzt sein
- Es ist empfohlen, minimal einmal pro Jahr eine Fachkontrolle durchführen zu lassen
- Bei eventueller Reparatur der Teilenumtauschungen müssen ausschließlich Originalteile angewendet werden
- Das Produkt darf nicht durch einen Wasserstrahl oder Druckbrause gereinigt werden
- Schalten Sie alle Leitungen (Wasser, Elektrizität, Gas) bei einer Störung oder beim schlechten Lauf aus und rufen Sie autorisierten Service an
- Der Hersteller verzichtet auf jegliche Verantwortung bei Störungen, die durch fehlerhafte Installation, Nichteinhaltung o.a. Empfehlungen, andere Verwendung u.ä, verursacht wurden

DIE PLATZIERUNG

Es ist unbedingt notwendig, zu der Regulation der Gerätetätigkeit, daß das Milieu - der Küche -, wo das Gerät installiert wird, sehr gut belüftbar ist (im Hinblick darauf: sei der Techniker sich mit geltenden Normen (EN) richtet). Wenn die Einrichtung so platziert wird, daß sie im Mobiliarwandkontakt stehen wird, so müssen diese einer Temperatur von 90°C widerstehen. Die Installation, Herrichtung, Inbetriebnahme müssen durch qualifizierte Person, die zu solchen Vorkehrungen eine Befugnis hat und dies laut geltenden Normen nach, durchgeführt werden.

Packen Sie das Gerät aus und kontrollieren Sie, ob sich das Gerät während des Transportes nicht beschädigt hat. Platzieren Sie das Gerät auf eine waagrechte Fläche (maximale Unebenheit bis 2°). Stellen Sie das Gerät unter den Haubenabzug, damit Sie die Wasserdämpfe und den Geruch eliminieren. Das Gerät kann selbständig oder in einer Reihe mit Geräten unserer Herrstellung installiert werden. Es ist notwendig die minimale Entfernung von 10 cm zu anderen Gegenständen einzuhalten, so dass die Wärmeisolierung der brennbaren Teilen gewährleistet wird.

Das Gerät kann selbständig oder in einer Reihe mit Geräten unserer Herrstellung installiert werden. Es ist notwendig die minimale Entfernung von 10 cm zu anderen Gegenständen einzuhalten, so dass die Wärmeisolierung der brennbaren Teilen gewährleistet wird.

TECHNISCHE HINWEISE ZUR INSTALLATION UND REGELUNG

Wichtig:

Zur Benützung AUSSCHLIEßLICH nur für spezialisierte Techniker
Instruktionen, die folgen, wenden sich an den Techniker, der für die Installation qualifiziert ist, damit er alle Operationen mit der korrektesten Weise und laut der gültigen Normen durchführt.

Wichtig

Jeweils irgendeine Tätigkeit, die mit der Regulation verbunden ist u.ä, muß nur mit der aus dem Netz ausgezogenen und abgeschalteten Einrichtung vollgezogen sein.

Solange das Gerät unter der Spannung notwendig zu halten ist, eine höchste Vorsicht zu beachten vorliegt.

WASSERANSCHLUSS

Der Wasseranschluss erfolgt mit Hilfe eines Schlauchs mit einem Gewinde G1/2. Der Anschluss erfolgt nach dem Abnehmen der vorderen Platte (Abb. 1). Die Wasserzufuhr ist mit einem eigenständigen Hahn zu besetzen, der frei zugänglich und in Reichweite der Anlage ist. Bestandteil der Anlage ist ein Rückschlagventil.

- Die Wasserhärte muss im Bereich von 0,5 – 5 ° französische Grade liegen.

OBERHALB DIESES WERTES IST EIN WEICHMACHER ZU VERWENDEN.

- Der Wasserdruck muss im Bereich von 50 – 250 kPa liegen.
- Der Chlorgehalt im Wasser darf nicht höher als 10 ppm sein, andernfalls droht eine Beschädigung der Wannenoberfläche.
- Der Säuregehalt des Wassers muss über 7 pH liegen.
- Elektrische Leitfähigkeit: 50 – 2000 uS/cm (20 °C)
- Der Anschluss muss im Einklang mit EN 1717 sowie mit den geltenden nationalen Wasserwirtschaftsvorschriften stehen.

DER ELEKTRISCHE KABELNETZANSCHLUSS

Die Installation der elektrischen Ankupplung - Diese Zuleitung muß selbstständig gesichert werden. Und das durch entsprechende Sicherung des Nennstromes in der Abhängigkeit am Anschlußwert des installierten Gerätes. Kontrollieren sie den Anschlußwert des Apparates auf dem Produktionsschild im Hinterteil des Gerätes. Schließen Sie das Gerät direkt ans Netz an.

Es ist unbedingt notwendig zwischen das Gerät und das Netz einen Schalter zu legen, der eine minimale Entfernung von 3mm unter den Einzelkontakten aufweist und der auch den geltenden Normen und Belastungen entspricht. Die Erdungszuleitung (gelbgrün) darf nicht durch diesen Schalter unterbrochen sein.

Der Zuleitungskabel muß in jedem Fall so angebracht sein, dass er in keinem Punkt einer um 50°C höherer Temperatur als Umgebungstemperatur nicht erreicht. Eher das Gerät ans Netz angeschlossen wird, versichern Sie sich, dass:

- die Zuleitungssicherung und die Innenscheidung die Einrichtungsbelastung ertragen (siehe Matriceschild),
- die Verteilung mit wirksamer Erdung laut Normen (EN) und Gesetzbedingungen ausgestattet ist

WIR VERZICHTEN AUF JEGLICHE VERANTWORTUNG IM FALLE, DASS DIESE NORMEN NICHT RESPEKTIERT WERDEN UND IM FALLE DER NICHT-EINHALTUNG DER OBENERWÄHNTER GRUNDSÄTZE.

Es ist notwendig die Schutzfolie vor der ersten Benützung zu beseitigen, sowie das Gerät zu reinigen siehe das Kapitel „Reinigung und Instandhaltung“.



-Führen Sie den Stecker der Speisezuleitung in die el. Steckdose und ziehen ihn aus der el. Steckdose mit nassen Händen und durch Ziehen der Speisezuleitung nicht!

-Verwenden Sie keine Verlängerungskabel oder Kombisteckdosen.

DIE SICHERHEITSVORRICHTUNGEN AUS DER SICHT DES FEUERSCHUTZES LAUT EN. 061008 ČL. 21

Die Einrichtungsbedienung dürfen nur Erwachsene ausführen

- Das Gerät darf sicher in gewöhnlicher Umgebung laut EN 332000-4-482; EN 332000-4-42 verwendet werden.
- Es ist notwendig das Gerät so platzieren, daß es auf einer unbrennbaren Grundlage steht oder hängt.
- Es dürfen, auf und in eine Entfernung, die kleineremase als sicher vom Gerät bezeichnet wird, keine Gegenstände aus brennbaren Materilien (die kleinste Entfernung vom Brennbarem ist 10 cm) aufgestellt werden.
- Die sicheren Entfernungen von Massen der einzelnen Brenngra

Tabelle:

Baumassefeuerbrenngrad ins Brenngrad (EN) der Massen und Produkte eingegliedert

A	Unbrennbar	Granit, Sandstein, beton, Ziegel, Keramikbekleidung, Putz
B	nicht einfach brennbar	Akumin, Heraklit, Lihnos, Itaver
C1	schwer brennbar	Holz, Laubbaum, Furnier Sirkoklit, Festpapier, Umakart
C2	mittel brennbar	Holzspanplatten, Solodur, Korkplatten, Hartgummi, Bodenbeläge
C3	leicht brennbar	Holzfasernplatten, Polystyren, Polyureten, PVC

Die Bedarfsartikel müssen sicher installiert werden und sind mit regulierenbaren Beinchen - zur Ausgleichen der Höhe und der Unebenheiten eingestattet.

Die Geräte müssen in einer sicheren Weise installiert werden. Bei der Installation müssen weiter betreffende Projekt-, Sicherheits-, und Hygienevorschriften respektiert werden.

- EN 06 1008 Feuerschutz der örtlichen Geräte und der Wärmquellen
- EN 33 2000 (33 2000-4-482; 33 2000-4-42) Umgebung für elektrische Geräte
- Gasversorgung -Gasleitunge in Gebäuden - Höchste Verkehrsdruck ≤ 5 BarVerkehrsansprüche,
- § 10 des Gesetzes Nr.185/2001 Sb., der Abfälle betrifft.

GEBRAUCHSANWEISUNG

Vor jeder Inbetriebnahme des Kessels prüfen Sie das Auffüllen des Duplikators mit Wasser. Der Wasserpegel muss in der Höhe des Prüfhahns liegen (Abb. 2, Position 6). Läuft aus dem geöffneten Hahn kein Wasser heraus, ist der Duplikator nachzufüllen. Füllen Sie das Wasser über den Druckknopf für Wasserauffüllung im Duplikator nach (Abb. 1), den Sie gedrückt halten, solange aus dem geöffneten Hahn Wasser fließt. Wenn kein Wasser läuft, schließen Sie den Hahn.

Bedienung

Stellen Sie den Energieregler (Abb. 1, Position B) auf „MAX“ ein und dann drehen Sie den Umschalter (Abb. 1, Position A) nach rechts oder links um 90°. So stellen Sie die maximale Leistung ein. Durch ein weiteres Drehen des Drehschalters um 90° stellen Sie die halbe Leistung ein. Diese Leistung lässt sich weiter über den Energieregler reduzieren, wobei ein niedrigerer eingestellter Wert der niedrigeren Leistung gleicht. Den Energieregler kann auch dann benutzt werden, wenn der Umschalter auf die Maximalleistung eingestellt ist.

Nach dem Drehen des Schalters auf die Maximalleistung oder die halbe Leistung leuchtet die grüne Kontrollleuchte auf (Abb. 1, Position C) und der Kessel fängt an zu heizen. Das wird durch das Aufleuchten der orangen Kontrollleuchte signalisiert (Abb. 1, Position D). Wenn sie nicht leuchtet, heißt es, dass der Energieregler auf eine andere Position als „MAX“ eingestellt ist, oder im Duplikator der erforderlicher Druck ist und der Druckschalter die Heizung unterbrach.

Zum Auffüllen des Kochraumes mit Wasser benutzen Sie die Auffüllbatterie (Abb. 2, Position 8) auf der oberen Kesselplatte. Öffnen Sie den Deckel, drehen Sie den Träger in die Parkposition um und machen Sie den Kesseldeckel zu.

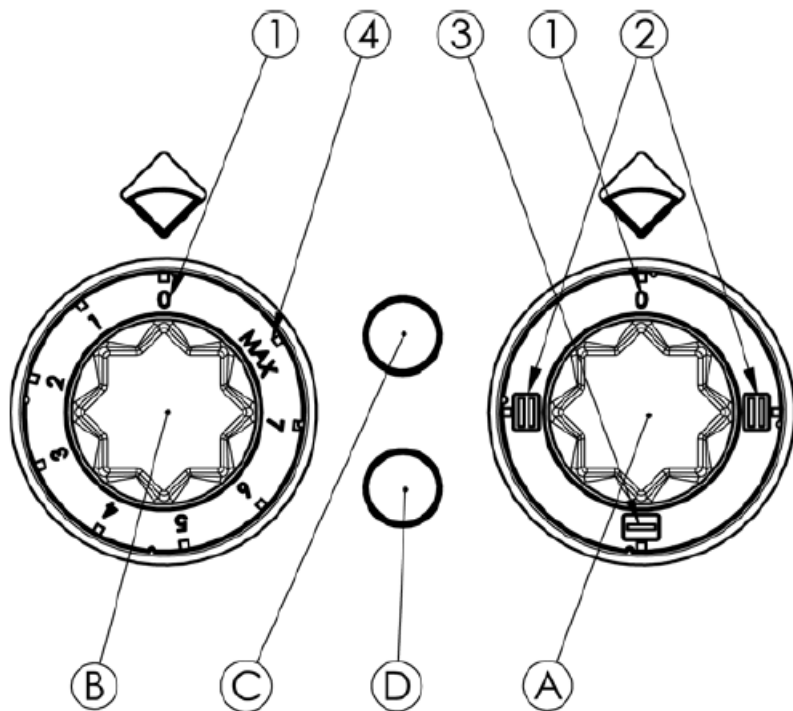
Kommt es während des Betriebes zum Auskochen des Wassers im Duplikator, schalten Sie den Kessel sofort aus. Das Nachfüllen des Wassers ist erst nach der Abkühlung des Kessels möglich. Falls diese Bedingung nicht eingehalten wird, droht eine Beschädigung des Duplikators! Der maximale Wasserstand ist 40 mm unter dem oberen Rand der Wanne. Denken Sie daran, dass der Wasserstand nach dem Hineinlegen der Lebensmittel ins Wasser steigt!

HINWEIS

Die Garantie erstreckt sich nicht auf alle Verbrauchsteile, die einer natürlichen Abnutzung unterliegen (Gummidichtungen, Glühlampen, Glas- und Kunststoffteile usw.). Die Garantie bezieht sich weiterhin nicht auf Einrichtungen, deren Installation nicht in Übereinstimmung mit der Bedienungsanleitung, nicht durch einen berechtigten Techniker nach den entsprechenden Normen durchgeführt wurde und falls mit der Einrichtung nicht fachgemäß manipuliert wurde (Eingriffe in die Inneneinrichtung) oder die Einrichtung von nicht geschulten und unterwiesenen Personen und im Widerspruch mit der Bedienungsanleitung bedient wurde. Weiterhin bezieht sich die Garantie nicht auf Schäden durch natürliche Einflüsse oder einen äußeren Eingriff.

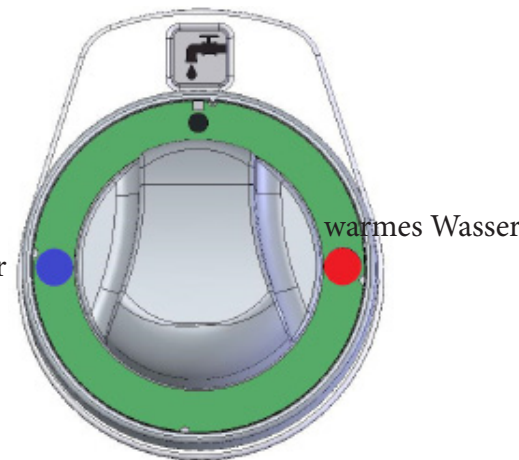
Nach dem Beenden der Lebensdauer Transportverpackungen und die Einrichtung an eine Sammelstelle abgeben.

Bedienungselemente



Taste zum Wassereinlassen
in den Duplikator

kaltes Wasser



A – Umschalter
B – Energieregler
C – Kontrollleuchte grün
D – Kontrollleuchte orange

1 – Stellung AUS
2 – Volleistung
3 – Halbleistung
4 – Volleistung

BEDIENUNG DES AUTOKLAVS:

Das Autoklav-System funktioniert nach dem gleichen Prinzip wie ein Schnellkochtopf. Für seine sichere Funktion sollte man sich vergewissern, dass alle 4 Klappen bis zur höchstzulässigen Grenze festgezogen sind.

ACHTUNG!!!!

Vor dem Öffnen des durch das Autoklav-System gesicherten Deckels ist stets der Druck in Form des Dampfes über das in der Mitte des Deckels befindliche Sicherheitsventil abzulassen. Die Nichteinhaltung dieses Verfahrens kann einen Unfall zur Folge haben, wobei der Hersteller für keinerlei Sach- und Gesundheitsschäden haftet.

fig. A



Vor jeder Inbetriebnahme des Kessels prüfen Sie das Auffüllen des Duplikators mit Wasser. Der Wasserpegel muss in der Höhe des Prüfhahns liegen (Abb. 2, Position 6). Läuft aus dem geöffneten Hahn kein Wasser heraus, ist der Duplikator nachzufüllen. Das Wasser füllen Sie mithilfe des Einlassventils auf (siehe Abb. A). Füllen Sie solange Wasser ein, bis aus dem geöffneten Hahn Wasser fließt. Sobald das Wasser nicht mehr fließt, schließen Sie den Hahn.

HINWEIS!

***Füllen Sie nie Wasser in den Duplikator, solange der Kessel in Betrieb ist, oder solange sich das Wasser im Duplikator nicht abgekühlt hat
! ES DROHT UNFALLGEFAHR BZW. DIE ZERSTÖRUNG DES DUPLIKATORS !***

WARTUNG

Es wird empfohlen, das Gerät mindestens zweimal jährlich von einem Fachservice überprüfen zu lassen. Sämtliche Eingriffe im Gerät können nur von einer qualifizierten und dazu berechtigten Person durchgeführt werden.

Vorsicht! Vor der Inbetriebnahme des Gerätes müssen Sie von der ganzen Oberfläche Schutzfolien an den rostfreien Blechen abziehen, das Gerät gut mit Wasser mit Spülmittel waschen und danach mit einem im sauberen Wasser eingetauchten Wischtuch abwischen.

Benutzen Sie das Gerät nie, wenn im Duplikator kein Wasser ist! Beschädigungsgefahr! Das Wasser im Duplikator regelmäßig kontrollieren und nachfüllen.

Bei längerer Benutzung des Verbrauchsgeräts ist seine regelmäßige Wartung wegen der Sicherheit notwendig. Wir empfehlen daher, einen Servicevertrag zu unterzeichnen.

werden, die sich an gültigen Normen, Vorschriften und in der Bedienungsanleitung enthaltenen Ratschlägen halten. Eine optimale Häufigkeit der vorbeugenden Prüfungen ist 1 x pro 6 Monate, bei extremer Belastung empfiehlt sich die Prüfungen 1 x pro 3 Monate durchzuführen. Dank dieser Prüfungen können schwerere Schäden vorgebeugt und dadurch ökonomische Belastung des Gerätebetriebes reduziert werden.

Reinigung und Wartung:

Die alltägliche Reinigung des Verbrauchsgerätes stellt eine Gewährleistung seiner perfekten Funktionierung und langzeitigen Lebensdauer dar. Nichtrostende Bestandteile mit einem feuchten Tuch mit Spülmittel abwaschen. Keine Mittel mit Chlor oder Schleifstoffe verwenden. Nach Abwaschen mit einem feuchten Tuch ohne ein Spülmittel abwischen.

RATSCHLÄGE ZUM REINIGEN DER EINZELNEN BESTANDTEILE:

Die Kesselwanne gründlich waschen und abwischen. Zur Reinigung für rostfreies Geschirr bestimmte Spülmittel für professionelle Küchen verwenden.

In Ausnahmefällen können beim Betrieb des Kessels, im inneren Duplikator-Gefäß, auf der Oberfläche Flecken erscheinen, die aber in keinerlei Hinsicht seine Funktion oder gesundheitliche Mängelfreiheit einschränken. Es handelt sich dabei um keinen Fehler, der beanstandet werden könnte. Das Auslassventil öffnen und mit reinem Wasser ausspülen. Den Inhalt des Kessels nie ohne das Auslasssieb auslaufen lassen. Verstopfungs- und Ventilentwertungsgefahr. Jeden Tag nach der Benutzung sind die Reibflächen des Auslasshahnes mit Nahrungsmittelvaseline durchzuschmieren. Beim Kegelhahn sichert die Vaseline zugleich seine Dichtheit.

Was ist in einem Schadensfall zu tun:

Den Wasseranschluss schließen und die Stromzufuhr abstellen und unumgänglich den Service anrufen. Bei langzeitiger Abstellung den Wasseranschluss schließen und den Stromanschluss trennen.

DÉCLARATION DE CONFORMITÉ

Le fabricant certifie la conformité des appareils aux normes 2014/30/EU, 2014/35/EU à la loi n° 117/2016 sb., 17/2003 sb. et aux décrets applicables. L'installation doit être effectuée dans le respect des normes en vigueur. Attention: le fabricant décline toute responsabilité en cas de dommages, directs ou indirects, causés par une mauvaise installation, par une utilisation, des interventions ou des modifications impropres, par un entretien insuffisant, ainsi qu'en cas de dommages dérivant des causes mentionnées dans les conditions de vente. L'appareil objet de la présente notice est prévu pour un usage professionnel, aussi son utilisation doit-elle être confiée à un personnel possédant les compétences nécessaires à cet effet. L'utilisateur ne doit procéder à aucune intervention ni à aucune modification sur les parties réglées et protégées par le fabricant ou autre personnel autorisé à cet effet.

CARACTÉRISTIQUES TECHNIQUES

L'étiquette sur laquelle figurent les caractéristiques techniques est apposée sur la partie postérieure de l'appareil. Avant de procéder à l'installation, prendre connaissance du schéma électrique et de toutes les informations que contient la présente notice.

Type de produit	Vase d'expansion	Volume chaudière (l)	Puissance (kW)	Tension d'arrivée (V/Hz)	Dimensions (cm)
BI - 780 E	yes	50	12	400/3N/50	80x73x90 v

CONTROLE DE L'EMBALLAGE ET DE L'APPAREIL

En vue de son transport, l'appareil quitte les établissements du fabricant parfaitement emballé (sur l'emballage sont apposés les étiquettes et les symboles nécessaires à cet effet). L'emballage contient également la notice des instructions d'utilisation. Dans le cas où l'emballage présenterait des dommages ainsi que dans le cas où il s'avérerait qu'il a été manipulé sans les précautions nécessaires, il est impératif d'adresser sans attendre une déclaration au transporteur en y joignant une acceptation de la marchandise sous réserve.

Recommandation importante:

-Le produit est destiné uniquement à un usage intérieur.

N'utilisez jamais cet appareil si le cordon ou la fiche sont endommagés, si l'appareil fait défaut, s'il a été échappé ou endommagé ou immergé. Dans ce cas, retournez cet appareil au centre service autorisé pour examen.

- Pour usage professionnel seulement
- La présente notice des instructions d'utilisation et d'entretien contient d'importantes informations relatives à la sécurité, à l'installation et à l'utilisation; il est nécessaire d'en effectuer attentivement la lecture.
- Les recommandations se réfèrent à l'appareil objet de la présente notice.
- L'appareil est conforme aux normes en vigueur.
- Veiller à bien conserver la notice de telle sorte qu'elle puisse être consultée à tout moment en cas de besoin.
- Ne pas laisser des enfants s'approcher de l'appareil durant son utilisation.
- Pendant la vente ou après le déménagement de l'appareil vérifier que le personnel lise attentivement la présente notice d'utilisation
- L'appareil ne peut être utilisé que par le personnel instruit
- L'appareil ne peut être laissé en marche sans surveillance
- Il est recommandé de faire l'appareil contrôler au moins une fois par an dans un service spécialisé
- Ne pas utiliser que des pièces détachées originelles.
- En cas de défaut ou de mauvaise fonction, débrancher l'appareil (eau, gaz, électricité) et appeler un service spécialisé
- Le fabricant décline toute responsabilité en cas de dommages, directs ou indirects, causés par une mauvaise installation, utilisation, etc

LA LOCATION

Le local dans lequel l'appareil est installé doit être bien ventilé. Si l'appareil doit toucher le parois, celui-ci doit résister à la chaleur de 90°C au minimum. L'installation, le réglage et la mise en marche doivent être effectués par une personne qualifiée ayant une autorisation nécessaire selon les normes en vigueur.

Déballez l'appareil et vérifiez s'il n'était pas endommagé pendant le transport. Placez l'appareil sur une surface horizontale (pente maximale de 2°). Placez l'appareil sous une hotte pour éliminer la vapeur et mauvaise odeur.

L'appareil peut être installé seul ou en série avec d'autres appareils de notre fabrication. Il faut respecter la distance minimale de 10 cm entre l'appareil et d'autres objets ainsi qu'éviter le contact avec les matériaux inflammables. Dans ce cas il faut prévoir les arrangements nécessaires pour assurer la protection des parties inflammables.

INSTRUCTIONS TECHNIQUES POUR INSTALLATION ET REGLEMENT

Important:

Le fabricant ne fournit pas de garantie pour les défauts causés par l'usage, tout manquement impropre aux instructions contenues dans les instructions ci-jointes pour l'utilisation et aux mauvais traitements des appareils.

Installation, réglage et réparation d'appareils pour les cuisines, ainsi que leur élimination en raison de dommages possibles au gaz peut être effectuée qu'en vertu d'un contrat de maintenance, ce contrat peut être signé avec un distributeur agréé, et doivent être conformes à la réglementation technique et normes et réglementations concernant l'installation, l'alimentation, de raccordement de gaz et de la santé et la sécurité du système.

Ces instructions sont destinées au technicien qualifié qui doit effectuer l'installation, le mettre en marche et tester l'appareil.

Toute activité en tant que paramètres, le placement, le rééquilibrage etc, doit être faite que lorsqu'il est périphérique déconnecté de l'électricité. Si il est nécessaire d'avoir le périphérique connecté à l'électricité, vous devez garder la plus grande attention afin d'éviter toute blessure.

LE RACCORDEMENT DE L'EAU

Le raccordement de l'eau est effectué à l'aide d'un tuyau d'arrivée avec filetage G1/2. Le raccordement est réalisé après avoir retiré le panneau avant (image 1). L'arrivée de l'eau doit être équipée d'une fermeture indépendante, librement accessible et à portée de l'installation. Une soupape de retenue fait partie de l'équipement.

- La dureté de l'eau doit se situer entre 0,5 et 5 ° en degrés français.

AU-DESSUS DE CETTE VALEUR, UN ADOUCISSEUR DOIT ÊTRE UTILISÉ.

- La pression de l'eau doit se situer entre 50 et 250kPa.
- La teneur en chlore de l'eau ne doit pas être supérieure à 10ppm, afin de ne pas endommager la surface de la cuve.
- L'acidité de l'eau doit être supérieure à 7 pH.
- Conductibilité électrique : 50 – 2000 uS/cm (20°C)
- Le raccordement doit être conforme à la norme EN 1717 et aux règlements nationaux en vigueur pour la gestion des eaux.

BRANCHEMENT ÉLECTRIQUE

Installation de prise de courant – La prise de courant doit avoir un coupe-circuit indépendant en dépendance de puissance fournie de l'appareil. Vérifiez la puissance de l'appareil sur la plaque des caractéristiques techniques.

Branchez l'appareil directement au réseau, il faut mettre un interrupteur entre le réseau et l'appareil, son ouverture de contacts étant 3 mm au minimum. Câble de terre (vert-jaune) ne peut pas être interrompu par cet interrupteur. En tout cas, le câble de prise de courant doit être placé de telle manière que sa température ne dépasse jamais la température du milieu de plus que 50°C. Avant le branchement au réseau, s'assurer que :

- le coupe-circuit et distribution intérieure peuvent endurer la charge de l'appareil (voir la plaque)
- la mise à la terre fonctionne selon les normes en vigueur (EN) et selon la loi
- la prise ou l'interrupteur de circuit sont faciles d'accès

Le fabricant rénonce à toute responsabilité en cas que les normes ne seront pas respectés ainsi qu'en cas de dérogation des règles mentionnés ci-haut.

Avant la première utilisation, il faut retirer le film de protection et nettoyer l'appareil – voir chapitre « nettoyage et entretien ».

Entretien:

Il est recommandé de faire contrôler l'appareil dans un service spécialisé au moins une fois par an. Toutes les interventions peuvent être effectuées seulement par une personne qualifiée ayant une autorisation pour ces interventions.



-N'introduisez pas la fiche du cordon dans la prise de courant et ne débranchez pas l'appareil de la prise électrique si vos mains sont mouillées ou en tirant sur le cordon électrique !

-N'utilisez pas de rallonge ou de multiprise.

MÉSURES DE SÉCURITÉ POUR LA PROTECTION CONTRE INCENDIE SELON EN 06 1008 ARTICLE 21:

- l'appareil ne peut être utilisé que par des personnes majeures
- l'appareil peut être utilisé dans un espace ordinaire selon EN 332000-4-482; 332000-4-42
- l'appareil doit être placé ou suspendu d'une manière stable sur une surface ininflammable

Il est interdit de placer sur l'appareil ou dans la distance inférieure à 10 cm de l'appareil des objets inflammables.

- les distances de sécurité pour les matériaux inflammables selon leurs degré d'inflammabilité et les informations sur l'inflammabilité des matériaux de construction – voir le tableau

Tableau:

degré d'inflammabilité d'un matériel de construction (EN 730823)

A ininflammables	granit, grès, béton, briques, carrelage céramique, enduit
B difficilement inflammables	acumin, héraclite, lihnos, itaver
C1 mal inflammables	bois des arbres feuillus, contre-plaqué, papier durci, umakart
C2 inflammabilité moyenne	aggloméré, solodur, liège, caoutchouc, revêtements
C3 inflammabilité facile	planches de fibre de bois, polystyrène, polyurethane, PVC

L'appareil doit être installé d'une manière sûre. Pour l'ajustage de l'appareil est ce-ci procuré des pieds réglables.

- EN 06 1008 protection contre incendie des consommateurs d'énergie locaux et des émetteurs de chaleur
- EN 33 2000 (33 2000-4-482; 33 2000-4-42) le milieu pour les appareils électriques

MODE D'EMPLOI

Avant chaque mise en service de la chaudière, contrôler le remplissage d'eau du vase d'expansion. La hauteur du niveau doit être à la hauteur du robinet de contrôle (figure 2, point 6). Si l'eau coule pas de ce robinet ouvert, le vase d'expansion doit être complété. Complétez l'eau à l'aide du bouton de remplissage de l'eau dans le vase d'expansion (figure 1) que vous tenez jusqu'à ce que l'eau coule du robinet ouvert. Lorsque l'eau s'arrête de couler, fermez le robinet.

Commande

Réglez le régulateur d'énergie (figure 1, point B) à « MAX » puis tournez le commutateur (figure 1, point A) vers la droite ou la gauche de 90°. Il s'agit du réglage à la puissance maximale. En tournant de nouveau le commutateur de 90°, vous réglez la puissance moyenne. Il est possible de la réduire à l'aide du régulateur d'énergie – valeur réglée inférieur = puissance inférieure. Le régulateur d'énergie peut être utilisé également lorsque le commutateur est réglé à la puissance maximale.

Lorsque vous tournez le commutateur à la puissance maximale ou moyenne, le voyant vert s'allume (figure 1, point C) et la chaudière commence à chauffer. Cela est signalé par le voyant orange (figure 1, point D). S'il n'est pas allumé, cela signifie que le régulateur d'énergie est réglé à une position autre que « MAX » ou que le vase d'expansion à une pression suffisante et le commutateur de pression a interrompu le chauffage.

Pour remplir d'eau l'espace de cuisson, utilisez le robinet de remplissage sur la plaque supérieure de la chaudière. Ouvrez le couvercle, déplacez le bras au-dessus de l'espace de la chaudière et ouvrez l'eau. Après le remplissage de la chaudière, fermez l'eau et déplacez le bras en position de stationnement, puis fermez le couvercle de la chaudière.

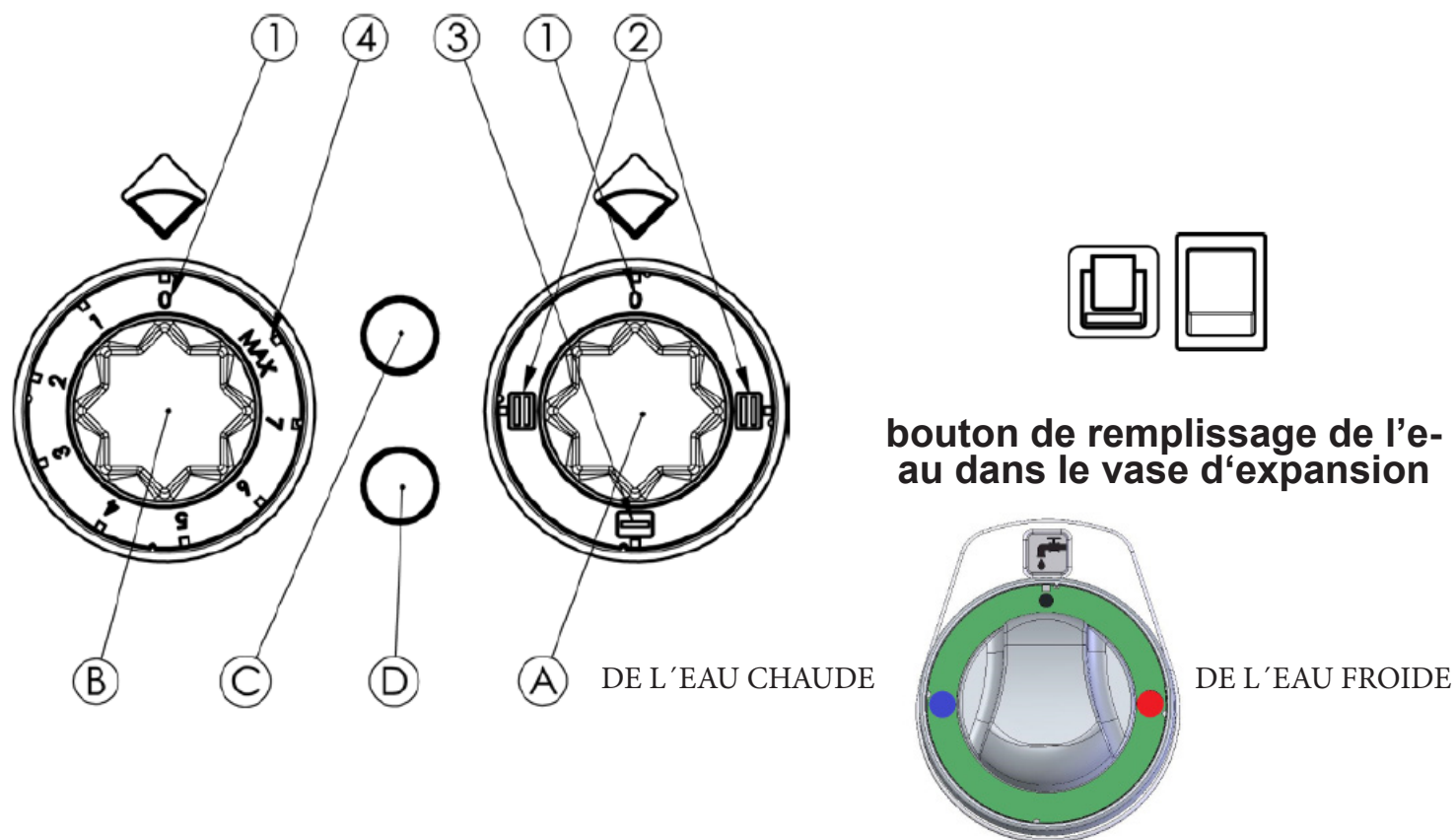
En cas d'ébullition de l'eau du vase d'expansion pendant le service, éteignez immédiatement la chaudière. Vous pouvez compléter l'eau après le refroidissement de la chaudière. Le non-respect de cette condition peut entraîner l'endommagement du vase d'expansion !

La hauteur maximale du niveau est de 40 mm en dessous du bord supérieur de la cuve. N'oubliez pas que le niveau monte lorsque vous mettez les aliments dans l'eau !

ATTENTION

La garantie ne concerne pas toutes les pièces soumises à usure (joints en caoutchouc, ampoules, pièces en verre et en plastique, etc.). La garantie ne concerne pas également l'équipement n'ayant pas été installé conformément au mode d'emploi – par un employé autorisé conformément aux normes correspondantes – et lors d'une manipulation non-spécialisée (intervention dans la partie interne de l'appareil) ou lors d'un service réalisé par un personnel non-formé et contraire au mode d'emploi. La garantie ne concerne pas non plus tout endommagement suite aux influences naturelles ou autre intervention extérieure. Remettez à la récupération les emballages de transport et l'équipement en fin de vie.

Éléments de commande



A – commutateur	1 – position 0
B – régulateur d'énergie	2 – puissance maximale
C – voyant vert	3 – puissance moyenne
D – voyant orange	4 – puissance maximale

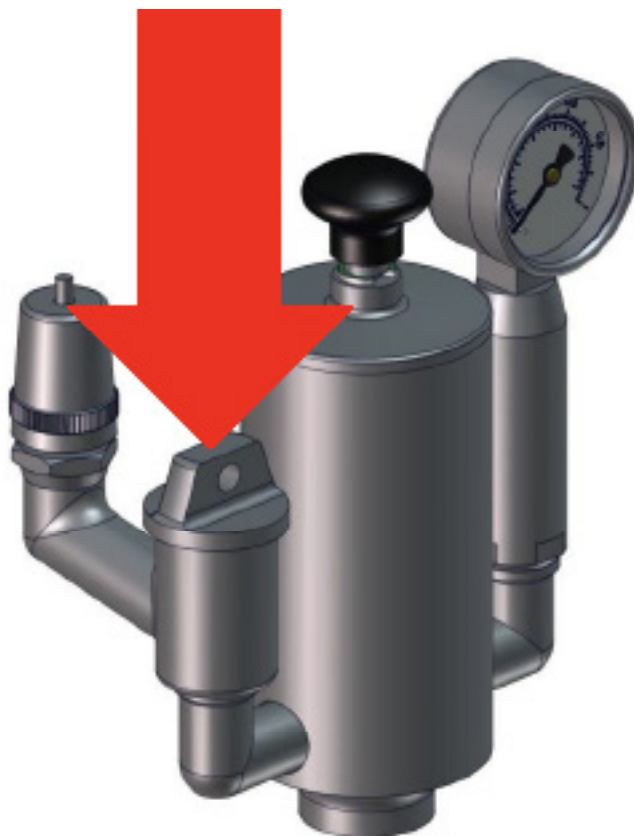
MODE D'EMPLOI DE L'AUTOCLAVE :

le système autoclave est basé sur le même principe que celui de l'autocuiseur. Pour que son fonctionnement ne soit pas dangereux il faut s'assurer que lors de son utilisation les 4 fermetures soient serrées au maximum.

ATTENTION!!!!

Avant d'ouvrir le couvercle il faut dépressuriser l'autoclave en utilisant la valve de sécurité placée au milieu du couvercle. Le non-respect du mode d'emploi peut entraîner des dégâts ou blessures dont le fabricant n'assume pas la responsabilité, ni au niveau matériel ni au niveau médical.

fig. A



Avant chaque mise en service de la chaudière, contrôler le remplissage d'eau du vase d'expansion. La hauteur du niveau doit être à la hauteur du robinet de contrôle. Si l'eau coule pas de ce robinet ouvert, le vase d'expansion doit être complété. Complétez l'eau à l'aide de la vanne de mise à niveau (voir fig. A). Continuez d'ajouter de l'eau jusqu'à ce que l'eau commence à déborder par le robinet ouvert. Fermez le robinet lorsque l'eau arrête de couler.

AVERTISSEMENT !

N'ajoutez jamais d'eau dans le bain-marie lorsque la marmite est en marche ou lorsque l'eau du bain-marie n'est pas refroidie.

!!! RISQUE DE BLESSURE OU D'ENDOMMAGEMENT DE LA MARMITE BAIN-MARIE !!!

ENTRETIEN

Nous recommandons de laisser contrôler l'appareil au minimum deux fois par an dans un service spécialisé. Les interventions dans l'appareil ne peuvent être réalisées que par une personne qualifiée disposant d'une autorisation.

Attention ! Avant de commencer à utiliser l'appareil, il faut retirer de toute la surface le film de protection de la tôle inox, puis bien laver à l'eau avec détergent pour vaisselle, puis nettoyer avec un chiffon trempé dans de l'eau propre.

N'utilisez jamais l'équipement lorsque le vase d'expansion ne contient pas d'eau ! L'équipement risque d'être endommagé ! Contrôlez régulièrement l'eau du vase d'expansion et complétez.

Après une utilisation prolongée de l'appareil, un entretien régulier pour l'utilisation en toute sécurité est indispensable, nous recommandons donc de signer le contrat de service.

L'entretien ne peut être réalisé que par des techniciens de service qui respectent les normes et règlements en vigueur et les conseils compris dans le mode d'emploi. La fréquence optimale des contrôles préventifs est de 1 fois tous les 6 mois. Lors des charges extrêmes, il s'avère bon de réaliser les contrôles 1 fois tous les 3 mois. Les contrôles préventifs permettent d'éviter les pannes importantes et réduisent ainsi la charge économique de l'exploitation de l'équipement.

Nettoyage et entretien :

Le nettoyage quotidien de l'appareil est la garantie de son fonctionnement parfait et de sa longévité prolongée. Lavez les parties inox à l'aide d'un chiffon humide avec détergent. N'utilisez pas des détergents contenant du chlore ou des abrasifs. Après le lavage, nettoyez à l'aide d'un chiffon humide sans détergent.

CONSEILS POUR LE NETTOYAGE DES DIFFÉRENTES PARTIES :

Lavez bien la cuve de la chaudière et essuyez-la jusqu'à ce qu'elle soit sèche. Utilisez des détergents destinés aux cuisines professionnelles pour le lavage de la vaisselle inox. Lors de l'exploitation de la chaudière, des taches peuvent apparaître exceptionnellement sur la surface de l'intérieur du vase d'expansion. Elles ne limitent pas le fonctionnement ou la salubrité. Il ne s'agit pas d'un défaut et elles ne peuvent faire l'objet d'une réclamation.

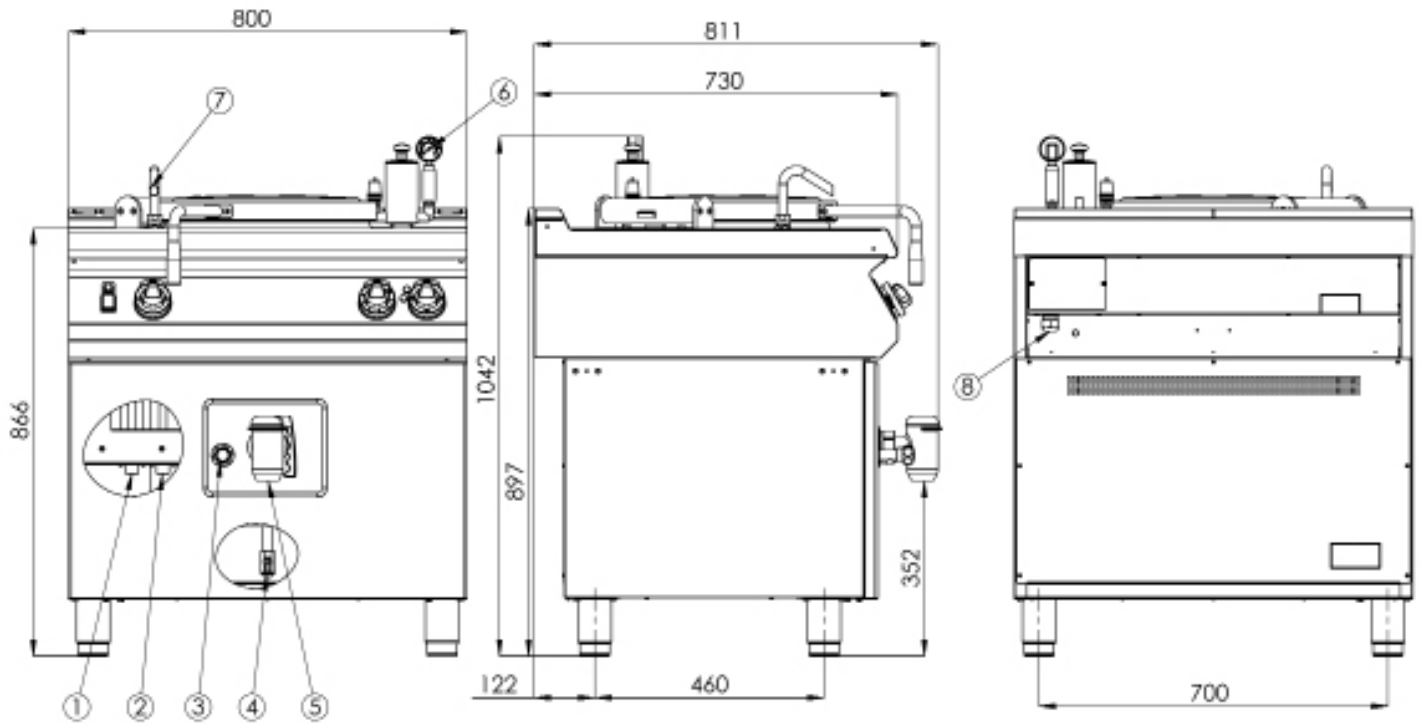
Ouvrez la soupape de vidange et rincez à l'eau propre. Ne jamais vidanger le contenu de la chaudière sans le tamis d'écoulement. Vous risquez de boucher et d'endommager la soupape.

Après chaque journée d'utilisation, il est indispensable de graisser les surfaces de frottement du robinet de vidange à l'aide d'une vaseline alimentaire. La vaseline assure également l'étanchéité du robinet à cône.

Que faire en cas de panne :

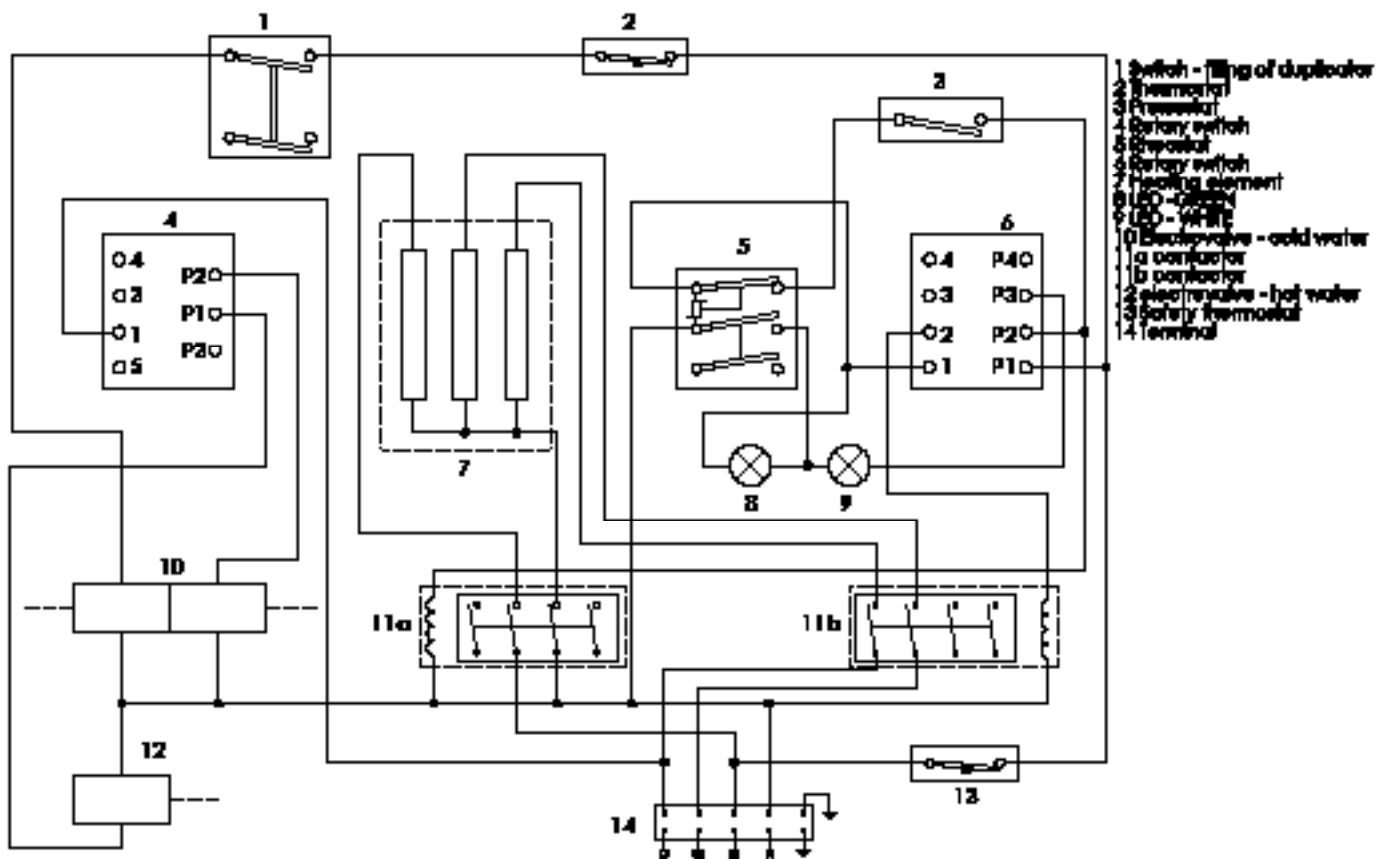
Fermez l'arrivée de l'eau, débranchez le courant et appelez dans les plus brefs délais l'organisation de service. Lors d'un arrêt prolongé, fermez l'arrivée de l'eau et débranchez l'appareil.

DIMENSION PLANS / MASSKIZZEN / DIMENSIONS

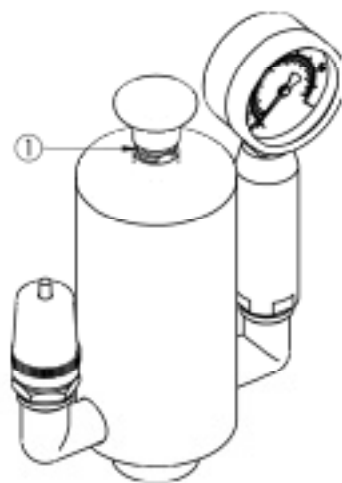


- 1 - cold water supply
- 2 - hot water supply
- 3 - controll valve of duplicator
- 4 - output valve of duplicator
- 5 - output
- 6 - safety valve + nanmometer
- 7 - filling tube
- 8 - eletric supply

EL. CONNECTION DIAGRAM / SCHALTPLAN / SCHÉMA DU ELECTRIQUE



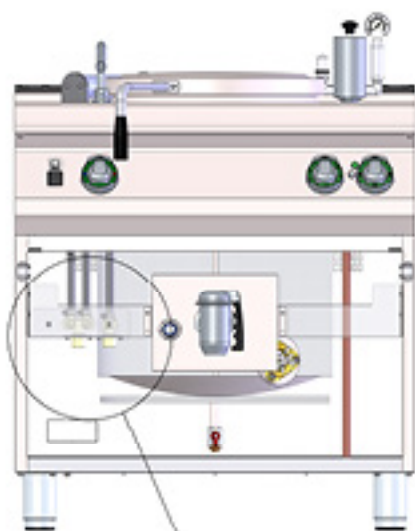
EL CONNECTION DIAGRAM BI-780 E



Add 1 pozn. 1



Add 2 pozn. 2



FITTING OF DUPLICATOR
NAPOUŠTĚNÍ DUPLIKÁTORU

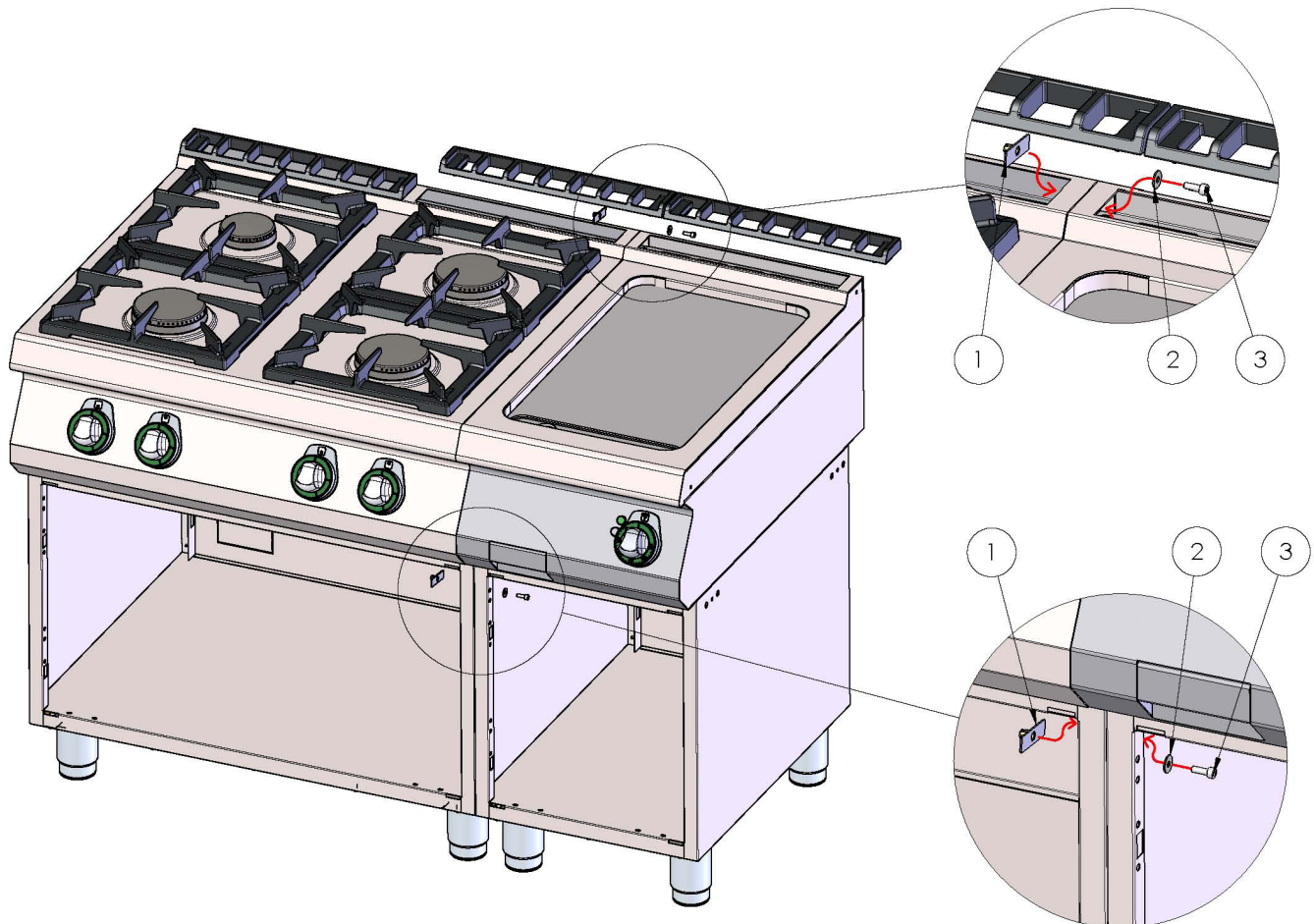
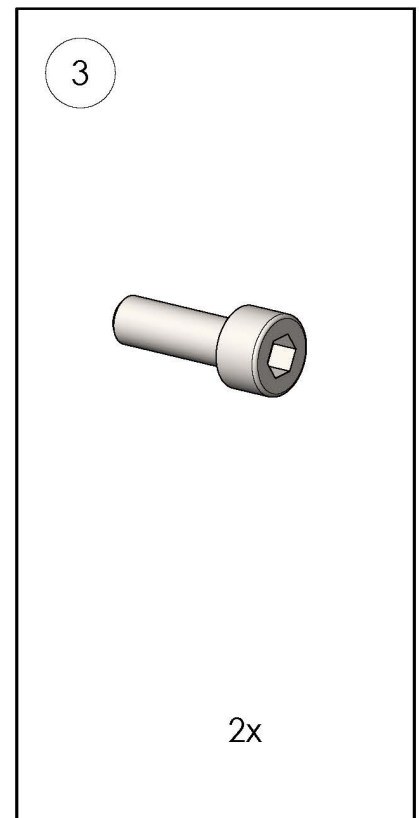
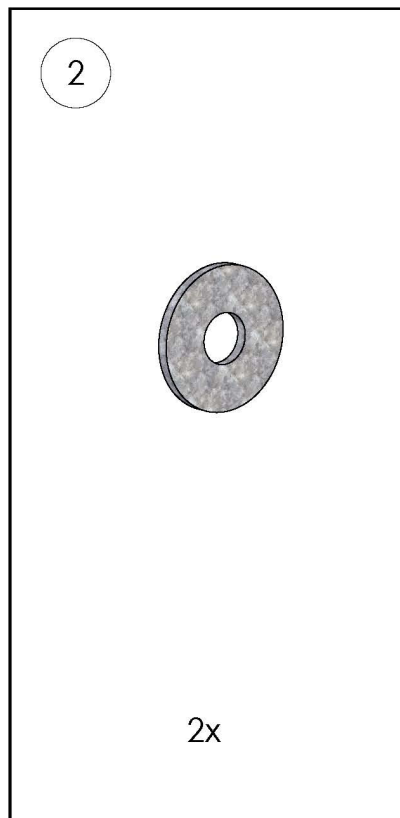
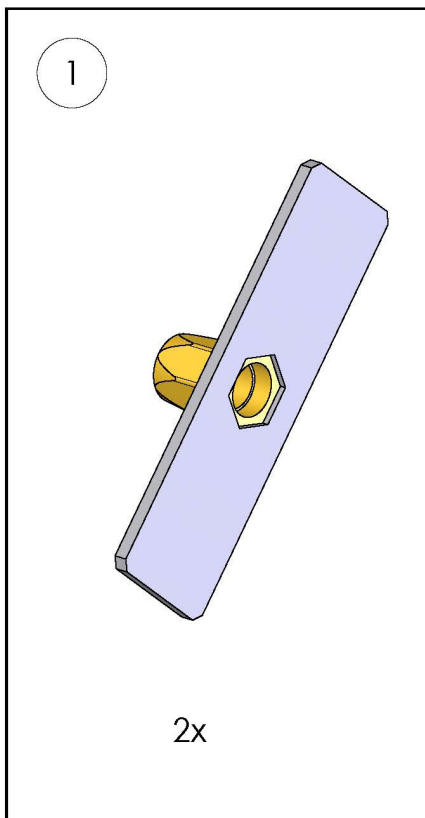
INPUT TO FILLING TUBE
PŘÍVOD DO NAPOUŠTĚČÍHO RAMÍNKU

HOT WATER
TEPLÁ VODA

PLACE FOR ELECTROVALVE ON SOFTENED WATER
PROSTOR PRO ELEKTROVENTIL NA MĚKČENOU VODU

COLD WATER
STUDENÁ VODA

connection modules/ Anschlussmodule/ les modules de connexion



PROHLÁŠENÍ O SOULADU S NORMAMI

Výrobce prohlašuje, že přístroje splňují základní požadavky směrnice 2014/30/EU (nařízení vlády č. 117/2016 Sb.) a požadavky směrnice 2014/35/EU (nařízení vlády č. 118/2016 Sb.).

Pozor, výrobce se vzdává jakékoli odpovědnosti v případě přímých i nepřímých poškození, které se vztahují ke špatné instalaci, nesprávným zásahem nebo úpravami, nedostatečnou údržbou, nesprávným používáním, a které jsou eventuálně způsobeny jinými příčinami, jež uvádí body uvedené v podmínkách prodeje. Tento spotřebič je určen pouze pro odborné používání a musí být obsluhován kvalifikovanými osobami. Části, které byly po nastavení zajištěny výrobcem nebo pověřeným pracovníkem, nesmí uživatel přestavovat.

TECHNICKÁ DATA

Štítek s technickými údaji je umístěn na boku či zadním panelu přístroje. Před instalací si prostudujte elektrické schéma zapojení a všechny následující informace.

Model	Duplikátor	Objem nádoby (l)	Výkon (kW)	Napětí (V/Hz)	Rozměry (cm)
BI - 780 E	ano	50	12	400/3N/50	80x73x90 v

KONTROLA OBALU A ZAŘÍZENÍ

Zařízení opouští naše sklady v řádném obalu, na kterém jsou odpovídající symboly a označení. V obalu se nachází odpovídající návod k obsluze. Jestliže by obal měl vykazovat špatné zacházení, známky poškození, musí se okamžitě reklamovat u přepravce a to sepsáním a podepsáním protokolu o škodě. Na pozdější reklamace nebude brán zřetel.

Důležité upozornění

Tento návod musí být řádně a pozorně přečten, protože obsahuje důležité informace o bezpečnostních prvcích, instalaci a použití.

- Výrobek je určen pouze k používání ve vnitřních prostorech.
- Nikdy spotřebič nepoužívejte, pokud má poškozený napájecí přívod nebo vidlici, pokud nepracuje správně, upadl na zem a poškodil se nebo spadl do vody. V takových případech zanechte spotřebič do odborného servisu k prověření jeho bezpečnosti a správné funkce
- Tato doporučení se vztahují na tento výrobek, nebo produktovou linii.
- Tento návod se musí řádně uschovat pro budoucí použití.
- Zabraňte dětem manipulovat s přístrojem.
- Při prodeji nebo přemístění je nutno se přesvědčit, že obsluha nebo odborný servis se seznámil s ovládáním a instalačními pokyny v přiloženém návodu.
- Výrobek smí obsluhovat pouze obsluha, která se seznámila s tímto návodem k použití.
- Nesmí být spuštěn bez dozoru.
- Doporučuje se kontrola odborným servisem minimálně 1x ročně.
- Při eventuální opravě nebo výměně dílů musí být použity originální náhradní díly.
- Výrobek se nesmí čistit proudem vody nebo tlakovou sprchou.
- Při poruše nebo špatném chodu výrobku je nutné odpojit veškeré přívody (voda, elektřina, plyn) a zavolat autorizovaný servis.
- Výrobce se vzdává jakékoli zodpovědnosti při poruchách způsobenými chybnou instalací, nedodržením shora uvedených doporučení, jiným užíváním apod.
- Přístroj se smí používat pouze k účelu, ke kterému je určený, jiné použití je zakázané a může vést ke vzniku nebezpečí či úrazu
- Musí být zajištěno nejpřísnější dodržování pravidel protipožární ochrany
- Za provozu a krátce po něm jsou některé části spotřebiče horké
- Je zakázáno se během provozu dotýkat jiných částí spotřebiče, než ovládacích prvků k tomu určených

UMÍSTĚNÍ

Ke správné činnosti a umístění spotřebiče je nutné dodržet veškeré předepsané nařízení a zákony dané země.

Rozbalte přístroj a zkontrolujte, zda se přístroj nepoškodil během přepravy. Umístěte přístroj na vodorovnou plochu (maximální nerovnost do 2°). Drobné nerovnosti lze vyrovnat regulovatelnými nožičkami.

Jestliže zařízení bude umístěno tak, že bude v kontaktu se stěnami nábytku, tyto musí odolávat teplotě až 60°C. Instalaci, seřízení, uvedení do provozu musí provést kvalifikovaná osoba, která má k takovýmto úkonům oprávnění a to dle platných norem.

Přístroj může být instalován samostatně nebo v sérii s přístroji naší výroby. Je nutno dodržovat minimální vzdálenost 10 cm od hořlavých materiálů. V tomto případě je nutné zabezpečit odpovídající úpravy, aby byla zabezpečena tepelná izolace hořlavých částí.

Spotřebič se musí instalovat pouze na nehořlavém povrchu nebo u nehořlavé stěny.

Nejmenší požadovaný průtok vzduchu z venkovního prostoru pro spotřebiče v provedení A je v rozmezí 5-20 m³/h, dle typu spotřebiče. Zaleží na instalačních předpisech pro danou zemi určení.

Součásti spotřebiče zajištěné výrobcem, nebo jeho zástupcem nesmí pracovník provádějící instalaci výrobku přestavovat.

Zařízení musí být instalováno ve vhodně větraném prostředí.

INSTALACE



Důležité:

Výrobce neposkytuje žádnou záruku na závady, vzniklé v důsledku nesprávného používání, nedodržování instrukcí obsažených v příloženém návodu k použití a špatným zacházením se spotřebiči.

Instalaci, úpravy a opravy spotřebičů pro velkokuchyně, tak jako i jejich demontáž z důvodu možného poškození přívodu plynu, mohou být prováděny pouze na základě smlouvy o údržbě, tato smlouva může být uzavřena s autorizovaným prodejcem, přičemž musí být dodržovány technické předpisy a normy a předpisy týkající se instalace, elektrického přívodu, plynové přípojky a bezpečnosti práce.

Technické instrukce pro instalaci a seřízení, k použití POUZE pro specializované techniky.

Instrukce, které následují, se obrací k technikovi kvalifikovanému pro instalaci, aby provedl všechny operace způsobem co nejkorektnějším a podle platných norem.

Jakákoli činnost spojená s regulací apod. musí být vykonána pouze se zařízením odpojeným ze sítě. Je-li nutno udržovat spotřebič pod napětím je nutno dbát nejvyšší opatrnosti.

Typ spotřebiče pro provedení odtahu je deklarován na typovém štítku, jedná se o spotřebiče typu A1.

BEZPEČNOSTNÍ OPATŘENÍ Z HLEDICKA POŽÁRNÍ OCHRANY

- obsluhu spotřebiče smí provádět pouze dospělé osoby
- spotřebič smí být bezpečně používán v souladu s normami a zákony dané země.
- spotřebič je nutné umístit tak, aby stál nebo visel pevně na nehořlavém podkladu

Na spotřebič a do vzdálenosti menší než bezpečná vzdálenost od něho nesmějí být kladeny předměty z hořlavých hmot (nejmenší vzdálenost spotřebiče od hořlavých hmot je 10 cm).

Tabulka: stupeň hořlavosti stavební hmoty zařazené do st. hořlavosti hmot a výrobků

Stupeň hořlavosti	Stavební hmoty
A - nehořlavé	žula, pískovec, betony, cihly, keramické obkladačky, omítky
B - nesehnadno hořlavé	akumin, heraklit, lihnos, itaver
C1 - těžce hořlavé	dřevo, listnaté, překližky sirkoklit, tvrzený papír, umakart
C2 - středně hořlavé	dřevotřískové desky, solodur, korkové desky, pryž, podlahoviny
C3 - lehce hořlavé	dřevovláknité desky, polystyrén, polyureten, PVC

• informace o stupni hořlavosti běžných stavebních hmot uvádí tabulka výše. Spotřebiče musí být instalovány bezpečným způsobem. Při instalaci musí být dále respektovány příslušné projektové, bezpečnostní a hygienické předpisy a zákony dané země.

PŘIPOJENÍ VODY

Připojení vody se provádí pomocí přívodních hadic se závitem G1/2. Přívod vody musí být osazen samostatnými uzávěry, které jsou volně přístupné a v dosahu zařízení. Součástí zařízení jsou zpětné ventily. Voda pro plnění prostoru duplikátoru musí být změkčená – max. 5° francouzské škály tvrdosti vody. Tlak přiváděné vody musí být v rozsahu 50 - 300 kPa.

Pro napuštění varného prostoru vodou použijte napouštěcí baterii na horní desce kotle. Otevřete víko, pootočte ramínko nad prostor kotle a pusťte vodu. Po naplnění kotle vodu uzavřete a ramínko otočte do parkovací polohy a uzavřete víko kotle.

Nikdy nepoužívejte zařízení, pokud je duplikátor bez vody! Hrozí poškození zařízení! Vodu v duplikátoru pravidelně kontrolujte a doplňujte.

Pokud dojde k vyvaření vody z duplikátoru během provozu u verzí bez automatického dopouštění vody, ihned vypněte kotel. Doplnění vody je možné až po vychladnutí kotle. V případě nedodržení této podmínky hrozí poškození duplikátoru!

Maximální výška hladiny je 40 mm pod horní okraj vany. Pamatujte, že při vložení upravovaných potravin do vody dojde ke vzduťí hladiny!

PŘIPOJENÍ ELEKTRICKÉHO KABELU DO SÍTĚ

Instalace elektrického přívodu - tento přívod musí být samostatně jištěn. A to odpovídajícím jističem jmenovitého proudu v závislosti na příkonu instalovaného přístroje. Příkon přístroje zkontrolujte na výrobním štítku na zadním panelu (či boku) přístroje.

Připojený zemnicí vodič musí být delší než ostatní vodiče. Přístroj připojte přímo na síť, je nezbytné vložit mezi spotřebič a síť vypínač s minimální vzdáleností 3 mm mezi jednotlivými kontakty, který odpovídá platným normám a zatížením. Přívod uzemnění (žlutozelený) nesmí tímto spínačem být přerušen. Přístroj určený pro připojení do zásuvky, připojte do sítě pokud má zásuvka odpovídající jištění.

V každém případě přívodní kabel musí být umístěn tak, že v žádném bodě nedosáhne teploty o 50 stupňů vyšší než prostředí. Než bude spotřebič připojen do sítě, je nutné se nejprve ujistit, že:

- přívodní jistič a vnitřní rozvod snesou proudové zatížení spotřebiče (viz štítek matrice)
- rozvod je vybaven účinným uzeměním podle norem a podmínek daných zákonem
- zásuvka nebo vypínač v přívodu jsou dobře přístupné od spotřebiče
- elektrický přívod do zařízení musí být z olejovzdorného materiálu

Vzdáváme se jakékoli zodpovědnosti v případě, že tyto normy nebudou respektovány a v případě porušení výše uvedených zásad.

Před prvním použitím musíte přístroj vyčistit viz. kapitola „čištění a údržba“. Spotřebič musí být uzemněn pomocí šroubu se značkou uzemnění.



- Tato etiketa označuje uzemňovací bod zařízení

- ⚠ - **Vidlici napájecího přívodu nezasunujte do el. zásuvky a nevytahujte z el. zásuvky mokřýma rukama a taháním za napájecí přívod!**
- **Nepoužívejte prodlužovací kabely nebo sdružené zásuvky.**
- **Přípojný bod sítě musí mít maximálně níže uvedenou impedanci Z_{MAX} dle EN 61000-3-11:2001. Z_{MAX} = 0,042 + j 0,026 Ω pro fázové vodiče a 0,028 + j 0,017 Ω pro nulový vodič**

NÁVOD K POUŽITÍ

Pozor!

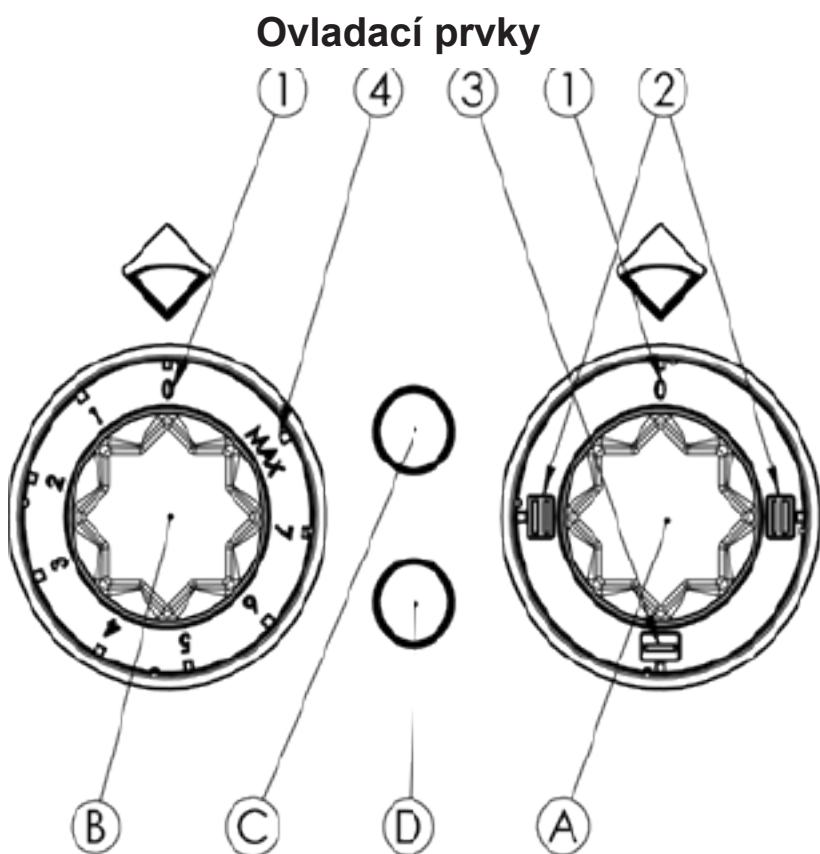
Nežli začnete přístroj používat, je nutné z celého povrchu sejmout ochranné fólie nerezového plechu, a pak jej dobře omýt vodou se saponátem na nádobí, a poté otřít hadrem namočeným v čisté vodě.

Před každým uvedením kotle do chodu zkontrolujte naplnění duplikátoru vodou. Výška hladiny musí být ve výšce kontrolního kohoutu. Jestliže z tohoto otevřeného kohoutu nevytéká voda, duplikátor je potřeba doplnit. Vodu doplňte pomocí tlačítka napouštění vody do duplikátoru, které podržte, dokud z otevřeného kohoutu nepoteče voda. Když z něj voda přestane téct, kohout zavřete.

Ovládání

Energoregulátor (obr. 2, pozn. B) nastavte na „MAX“ a poté otočte přepínačem (obr. 2, pozn. A) doprava nebo doleva o 90°. Takto se nastaví maximální výkon. Dalším pootočením přepínače o 90° nastavíte poloviční výkon. Ten je dále možno snižovat energoregulátorem, kdy nižší nastavená hodnota = nižší výkon. Energoregulátor je možno používat i v případě, kdy je přepínač nastaven na maximální výkon.

Po otočení přepínače na maximální nebo poloviční výkon se rozsvítí zelená kontrolka (obr. 2, pozn. C) a kotel začne topit. To je signalizováno oranžovou kontrolkou (obr. 2, pozn. D). V případě, že nesvítí, znamená to, že energoregulátor je nastaven na jinou polohu než „MAX“, nebo že je dostatečný tlak v duplikátoru a tlakový spínač přerušil topení.

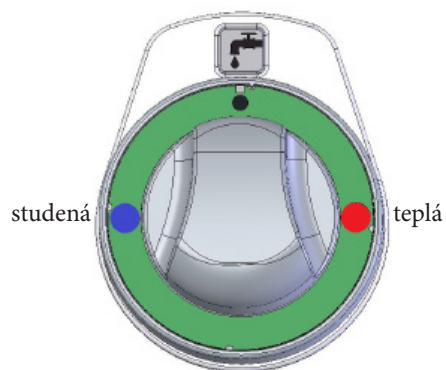


- A - přepínač
B - energoregulátor
C - zelená kontrolka
D - oranžová kontrolka
- 1 - poloha vypnuto
2 - plný výkon
3 - poloviční výkon
4 - plný výkon

Obr.2



tlačítko napouštění vody do duplikátoru



Regulační knoflík napouštění vody do nádoby

Odvzdušňování duplikátoru

Po zapnutí kotle je nutné provádět odvzdušňování duplikátoru v intervalu 10min. do doby, než se duplikátor zasytí párou.

Tento úkon provádí obsluha pomocí kuchyňského nástroje např. vařečky, kdy zamáčkne kolíček na odvzdušňovacím ventilu pojistné armatury a drží jej stlačený po dobu 3 sec. Tím unikne stlačený vzduch z duplikátoru a kotel může pracovat na plný výkon. Jakmile z odvzdušňovacího ventilu po stlačení kolíčku uniká pára, není již potřeba dále tento úkon provádět.

! POZOR !

Při zmáčknutí odvzdušňovacího kolíčku (např. prstem), bez použití kuchyňského nástroje, hrozí riziko opaření.



OVLÁDÁNÍ AUTOKLÁVY:

Autokláv systém je založen na stejné bázi funkce jako Papinův hrnec. Pro jeho bezpečný chod je potřeba se ujistit, že všechny 4 záklopy jsou dotaženy na maximální povolenou hranici.

POZOR!!!!

Před otevřením víka zajištěného autokláv systémem je vždy nutné vypustit tlak v podobě páry přes pojistný ventil umístěný ve středu víka. Nedodržením tohoto postupu může dojít k úrazu a výrobce nepřebírá žádné škody vzniklé na majetku či zdraví.

ČIŠTENÍ A ÚDRŽBA

Doporučuje se nechat přístroj alespoň jednou ročně překontrolovat odborným servisem. Veškeré zásahy do přístroje může provádět pouze kvalifikovaná osoba, která má k takovýmto úkonům oprávnění.

POZOR!

Zařízení se nesmí čistit přímou nebo tlakovou vodou. Čistěte zařízení denně. Denní údržba prodlužuje životnost a účinnost zařízení. Před započetím čištění se přesvědčte, jestli jste odpojili zařízení od elektrického proudu. Vždy vypněte hlavní přívod k zařízení. Nerezové části omyjte vlhkým hadrem se saponátem bez hrubých částic a vytřete do sucha. Nepoužívejte abrazivní nebo korosivní čisticí prostředky.

Každý den po používání je třeba promazat třecí plochy výpustného kohoutu potravinářskou vazelínou. U kuželového kohoutu vazelína zajišťuje i jeho těsnost.

Nikdy nevypouštějte obsah kotle bez sítka odtoku. Hrozí ucpání a znehodnocení ventilu.

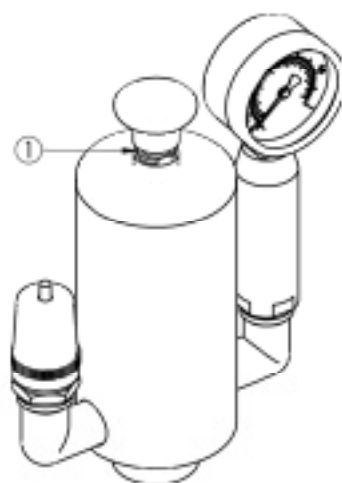
Jak postupovat v případě poruchy?

Vypněte elektrický (plynový) přívod a zavolejte servisní organizaci prodejce.

UPOZORNĚNÍ

Záruka se navztahuje na všechny spotřební díly podléhající běžnému opotřebení (gumová těsnění, žárovky, skleněné a plastové díly atd.). Záruka se též nevztahuje na zařízení pokud není provedena instalace v souladu s návodem – oprávněným pracovníkem dle odpovídajících norem a pokud bylo se zařízením neodborně manipulováno (zásahy do vnitřního zařízení atd.) nebo bylo obsluhováno nezaškoleným personálem a v rozporu s návodem k použití, dále se záruka nevztahuje na poškození přírodními vlivy či jiným vnějším zásahem. **Nutná kontrola servisní organizací 1 x ročně.**

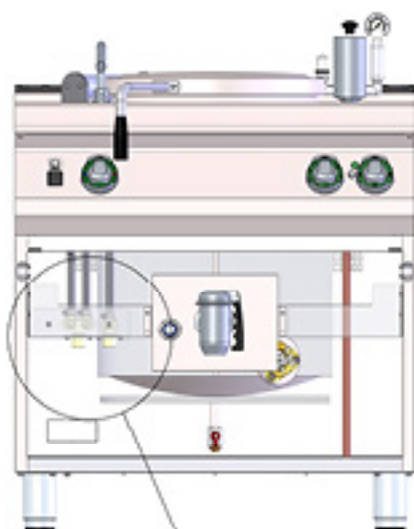
Přepravní obaly a zařízení po ukončení životnosti odevzdejte do sběru, dle předpisů o nakládání s odpadem a nebezpečným odpadem.



Add 1 pozn. 1



Add 2 pozn. 2



FITTING OF DUPLICATOR
NAPOUŠTĚNÍ DUPLIKÁTORU

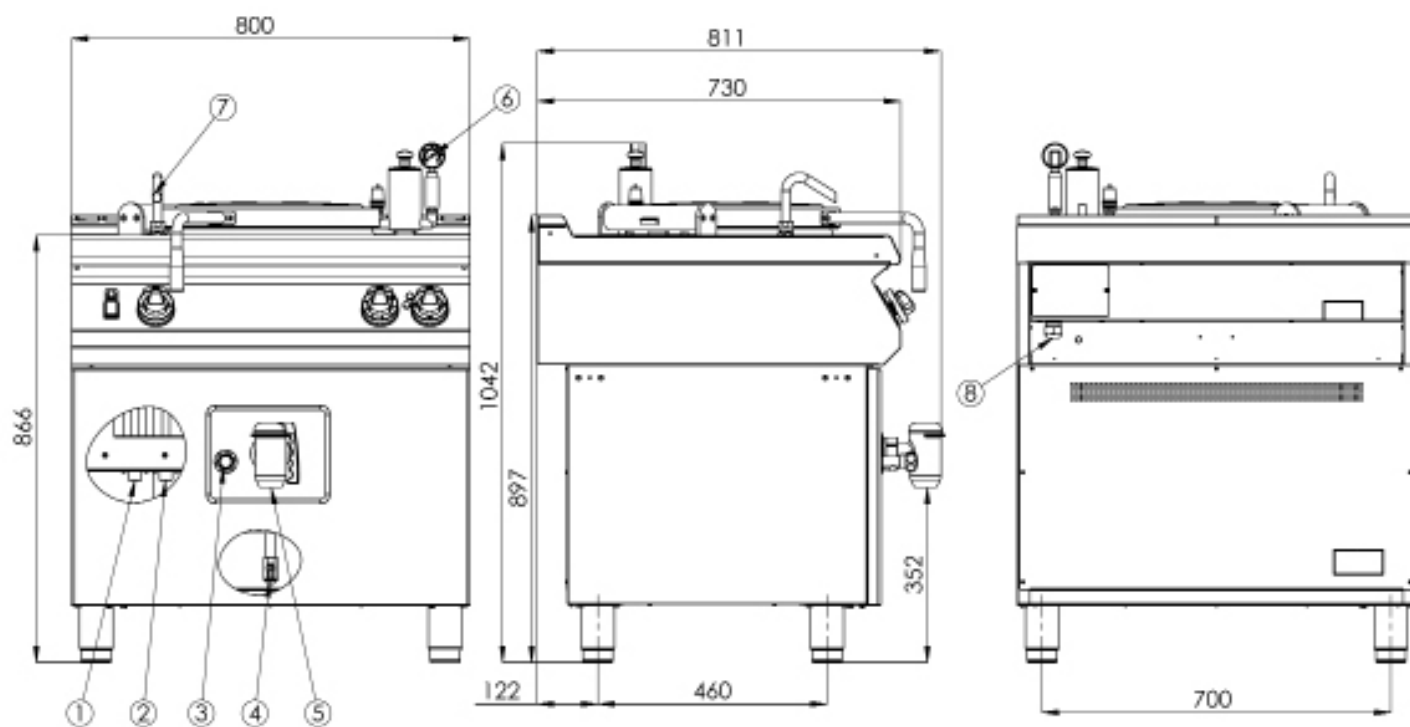
INPUT TO FILLING TUBE
PŘÍVOD DO NAPOUŠTĚČÍHO RAMÍNKU

PLACE FOR ELECTROVALVE ON SOFTENED WATER
PROSTOR PRO ELEKTROVENTIL NA MĚKČENOU VODU

COLD WATER
STUDENÁ VODA

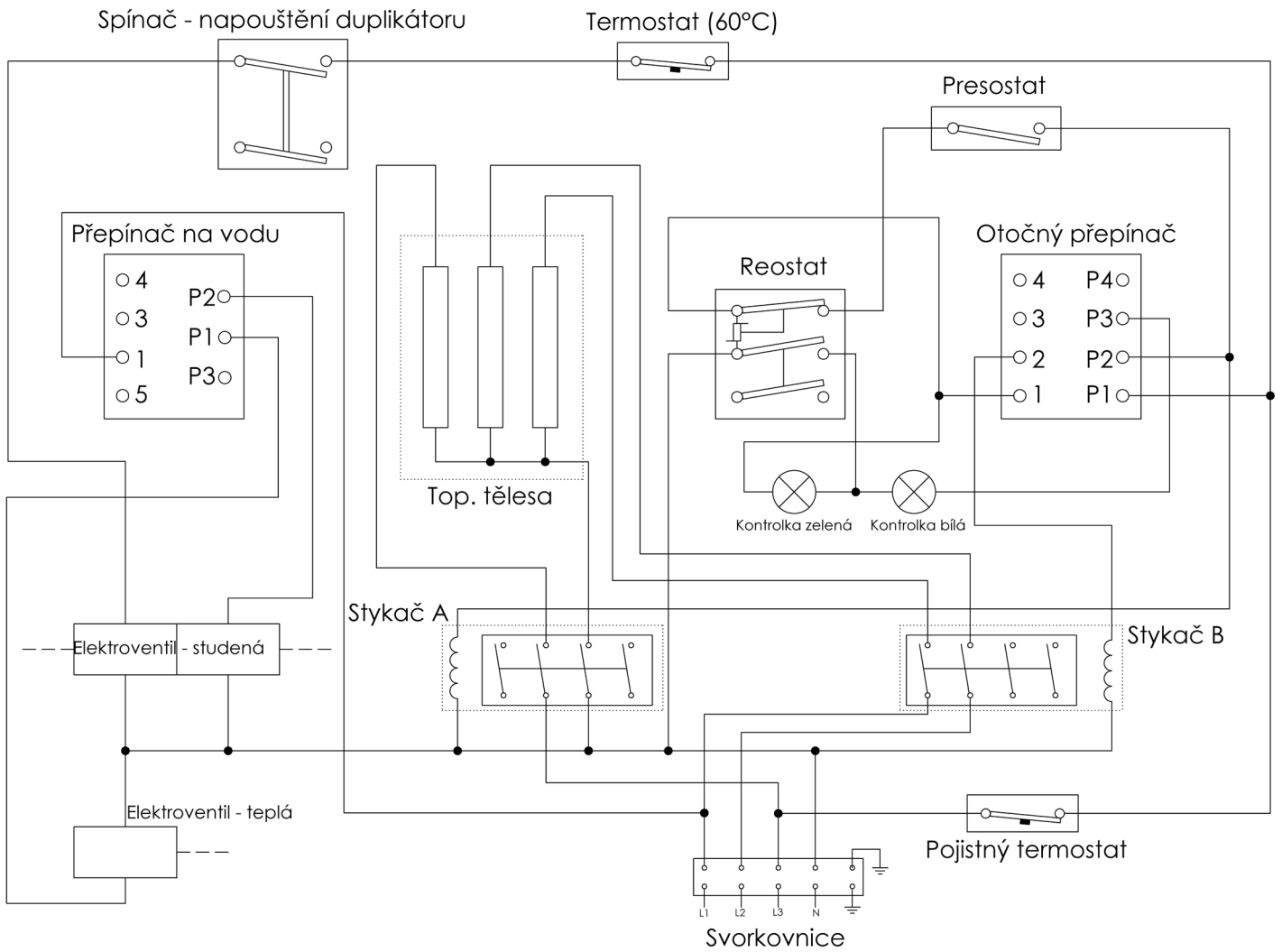
HOT WATER
TEPLÁ VODA

ROZMĚROVÝ NÁČRTEK S PŘIPOJNÝMI BODY



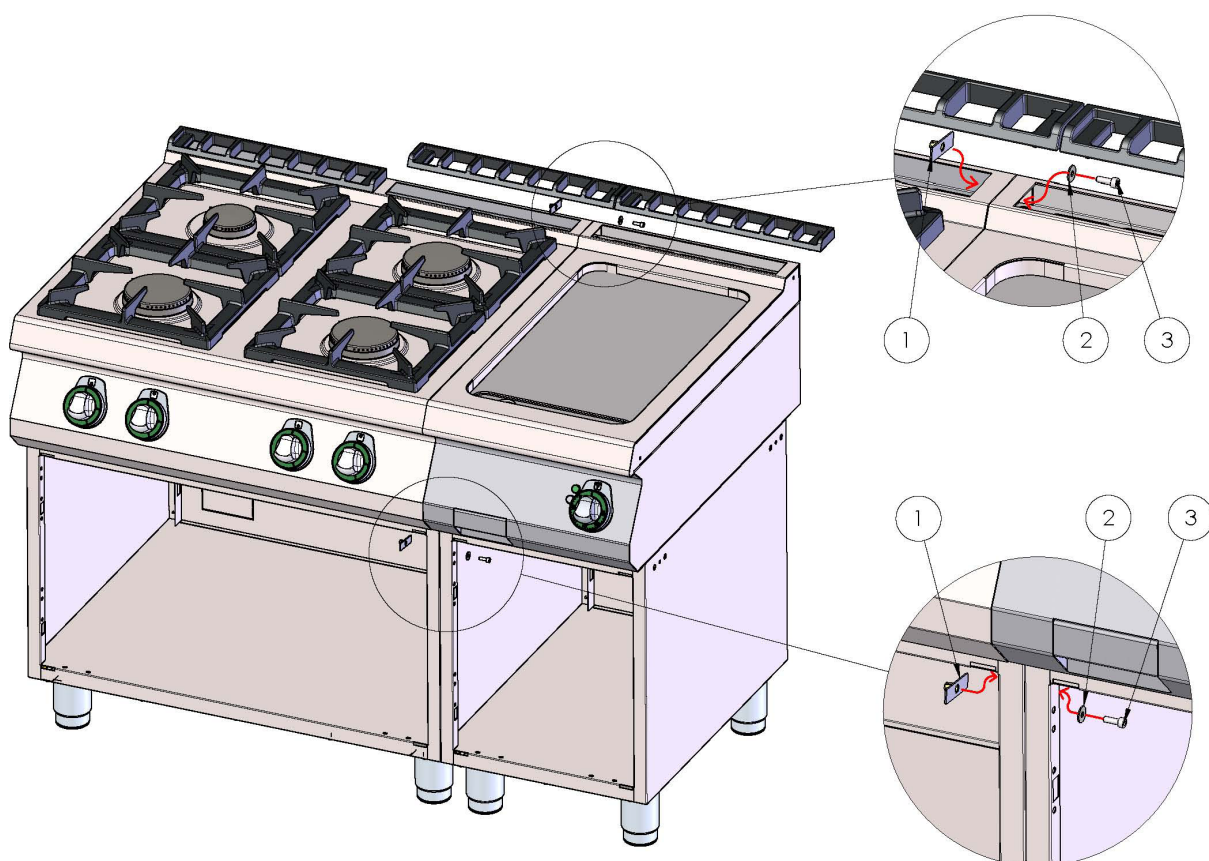
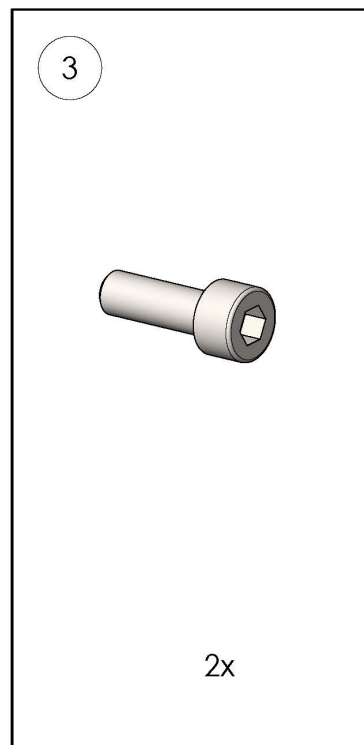
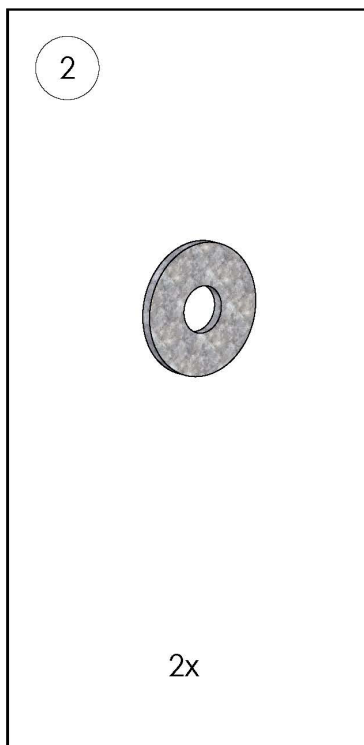
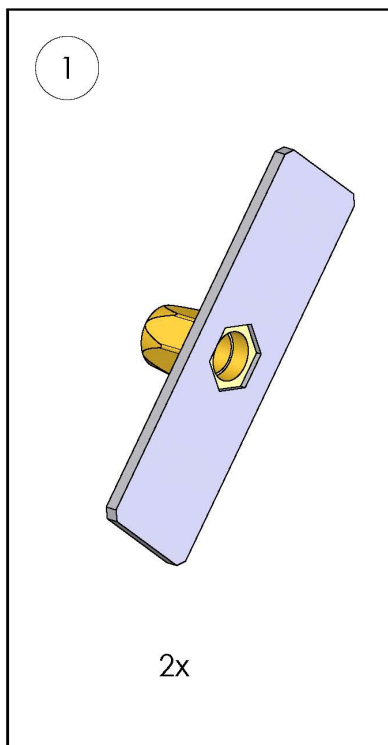
1 - PŘÍVOD STUDENÉ VODY	5 - VYPOUŠTĚCÍ KOHOUT KOTLE
2 - PŘÍVOD TEPLÉ VODY	6 - POJISTNÝ VENTIL + MANOMETR
3 - KONTROLNÍ KOHOUT HLADINY DUPLIKÁTORU	7 - NAPOUŠTĚCÍ RAMÍNKO
4 - VYPOUŠTĚCÍ KOHOUT DUPLIKÁTORU	8 - PŘÍVOD EL. ENERGIE 400V/3N

SCHÉMA ZAPOJENÍ



BLOKOVÉ SCHÉMA BI-780 E

SPOJENÍ MODULŮ



IZJAVA O SAGLASNOSTI SA NORMAMA

Proizvodjač proglašava da uređaji ispunjavaju norme evropskog parlamenta i savjeta 2004/108/ES, 2006/95/ES. Instalacija mora biti provedena prema važećim normama.

Pozor, proizvođač ne snosi odgovornost u slučaju direktnog i/ili indirektnog oštećenja, a koje može biti uzrokovano neodgovornom ili neprofesionalnom instalacijom, neispravnom opravom i/ili korištenjem, nedovoljnim održavanjem i čišćenjem, te ostalim faktorima koji su uvedeni u uputstvu, odnosno uslovima prodaje. Ovaj uređaj je namijenjen samo k profesionalnom korišćenju i upotrebi, tako da mora biti servisiran samo kvalifikovanim osobljem. Dijelovi koji su bili instalirani od strane proizvođača ili njim povjerene osobe, ne smije korisnik mijenjati, niti opravljati.

TEHNIČKI PODACI

Naljepnica sa tehničkim podacima se nalazi sa zadnje ili bočne strane aparata. Prije nego što aparat

Model	Duplikator	Volumen (l)	Snaga (kW)	Napon (V/Hz)	Razmjer (cm)
BI 780 E	ano	50	12	400/3N/50	80x73x90 v

KONTROLA PAKOVANJA I APARATA

Uredjaj napušta naše skladište uredno zapakovan, na pakovanju se nalaze simboli i opis tipa aparata. U pakovanju ćete naći uputstvo za upotrebu. Ukoliko bi se na pakovanju vidjelo da je s njim bilo loše manipulirano, da je pakovanje oštećeno, morate to odmah riješiti sa prijevoznikom, a to tako što ćete s njim napisati i obostrano potpisati protokol o šteti. Kasnije reklamacije nećemo uzimati u obzir.



Važno upozorenje

Ovo uputstvo mora biti pažljivo pročitano, budući da sadrži bitne informacije o sigurnosti, instalaciji i korištenju.

-Proizvod je određen samo za korištenje u unutarnjem prostoru.

Proizvod nemojte nikad koristiti ukoliko mu je oštećen dovod napajanja ili utikač, ukoliko ne radi ispravno, ukoliko je pao na tlo i time se ošteti ili je pao u vodu. U takvim situacijama odnesite poroizvod u stručni servis na provjeru njegove sigurnosti i ispravnog funkcioniranja.

- Ove preporuke se odnose na ovaj proizvod ili liniju proizvoda.
- Ovo uputstvo se treba sačuvati i za buduće korištenje.
- Zabranite djeci da koriste uredjaj.
- Prilikom preprodaje ili izmjene pozicije uredjaja, neophodno je upoznati servis i osoblje sa priloženim uputstvom za upotrebu i instalaciju.
- Uredjaj smije koristiti samo posluša koja je upoznata sa uputstvom.
- Nesmijete ostavljati uredjaj bez nadzora.
- Preporučuje se kontrola autorizovanim servisom minimalno 2x godišnje.
- U slučaju oprave ili izmjene rezervnog dijela, koristite samo originalne dijelove.
- Uredjaj se ne smije čistiti vodom pod pritiskom (tuš ili crijevo sa vodom).
- U slučaju kvara, isključite aparat iz struje, prekinite dovod vode i/ili plina, a potom se obratite na autorizovani servis.
- Proizodjač ne snosi odgovornost u slučaju pogrešne instalacije, nedodržavanjem gore navedenih

POZICIJA

Za ispravan rad i položaj aparata neophodno je dodržavati smjernice i norme propisane u uputstvu.

Raspakujte uredjaj i prekontrolirajte da se nije slučajno ošteti tijekom transporta. Smjestite uredjaj na vodoravnu podlogu (maksimalna neravnina do 2°). Male neravnine možemo regulirati nožicama.

Ako je aparat smješten tako da će biti u neposrednoj blizini namještaja, taj mora biti otporan na toplotu od 60°C. Instalaciju, podešavanje i početak korištenja mora biti proveden kvalifikovanom osobom, koja je k tomu povjerena od strane autorizovanog servisa.

Uredjaj može biti instaliran samostalno ili u seriji sa ostalim našim proizvodima. Obavezno dodržavajte minimalnu udaljenost 10 cm od lako zapaljivih predmeta. U takvom slučaju, moraju biti provedene određene izmjene kako bi izolirale zapaljive materijale.

Uredjaj smije biti instaliran samo na nezapaljivoj površini i pored vatrostalnog zida.

INSTALACIJE

Važno:

Proizvodjač ne daje nikakvu garanciju na greške uzrokovane neispravnim korištenjem, nepridržavanjem danih instrukcija ili neodgovornim korištenjem proizvoda.

Instalaciju, izmjene i oprave, a jednako tako i demontažu, ukoliko je aparat oštećen, može provesti samo odgovorna osoba, a to povjerena autorizovanim servisom. I to na osnovu ugovora o prodaji i održavanju koji može biti sklopljen samo sa oficijalnim predstavnikom proizvođača, a mora sadržavati sve tehničke propise i norme koje se tiču instalacije, dovoda struje i plina, te bezbjednosti rada.

Tehničke instrukcije za instalaciju i podešavanje služe samo SPECIJALIZIRANIM serviserima.

Instrukcije, koje slijede tiču se tehničara kvalifikovanih za instalaciju uređaja, a da bi to učinili na što korektniji i odgovorniji način, a to prema zadanim normama.

Bilo koja djelatnost vezana za regulaciju i sl., mora biti provedena samo kada je aparat isključen i prekinut dovod plina i/ili vode. Dok aparat ne isključite i odpojite, budite maksimalno oprezni i pažljivi prilikom rukovanja.

Kakav trebate koristiti odvod dima, možete vidjeti na naljepnici sa deklaracijom tipa aparata, radi se o aparatima tipa A1.

BEZBJEDNOSNE MJERE PROTIVPOŽARNE ZAŠTITE

- Koristiti uređaj smiju samo odrasle osobe.
- Uređaj smije biti korišten samo u tome namijenjenom prostoru.
- Uređaj postavite tako da stoji na vatrostalnoj podlozi.

Na uređaj i u njegovoj blizini ne smiju biti postavljeni lako zapaljivi predmeti (najmanja dozvoljena udaljenost između aparata i zapaljivih materijala je 10 cm).

- Informacije o stupnju zapaljivosti uobičajenih građevinskih materijala možete vidjeti na tabeli. Uređaj mora biti instaliran na bezbjednom mjestu. Prilikom instalacije moraju biti respektovani priloženi projektni materijali, sigurnosni i higijenski propisi.

Stupanj zapaljivosti	Gradjevinski materijal
A - nezapaljive	granit, pijesak, beton, cigle, keramičke pločice, žbuka
B - teško zapaljive	akumin, heraklit, lihnos, itaver
C1 - veoma zapaljive	drvo, sirkoklit, tvrdi papir, sadrokarton
C2 - srednje zapaljive	iverica, solodur, pluto, guma, linoleum
C3 - lehce hořlavé	dřevovláknité desky, polystyrén, polyureten, PVC

Uredjaji moraju biti instalirani na bezbijedan način. Prilikom instalacije uredjaja moraju biti respektovani predloženi projektni materijali, bezbijednosni i higijenski propisi.

PRIKLJUČAK VODE

Dovod vode ćemo provesti pomoću crijeva sa navojem G1/2. Prije svega moramo skinuti prednji panel. Dovod vode mora imati posebno zatvaranje koje dostupno i u dohvatu aparata. Dijelovi aparata su i vratni ventili. Voda za punjenje prostora duplikatora mora biti omekšana – max. 5° francuske skale tvrdoće vode.

Tlak privoda vode može biti u razmjeru 50 - 300 kPa.

Kada budemo punili lonac vodom, koristite bateriju na gornjoj ploči kotla. Otvorite poklopac, postavite slavinu nad lonac i pustite vodu. Kada ga napunite, zatvorite vodu, slavinu dajte u prvobitni položaj, te zatvorite poklopac kotla.

Nikad nemojte koristiti kotao ukoliko je duplikator bez vode! Možete ozbiljno oštetiti uredjaj! Vodu u duplikatoru redovno kontrolišite i dopunjavajte.

Ukoliko dodje do toga da se voda u duplikatoru ispari tokom korištenja, odmah isključite kotao. Vodu možete dopuniti samo kada se kotao ohladi. Ukoliko se ovog ne budete pridržavali možete oštetiti duplikator!

Maximalna visina nivoa vode je 40 mm pod gornjim okrajem lonca. Ne zaboravite, da kada budete dodavali namjernice do vode, podići ćete i njen nivo!

PRIKLJUČIVANJE EL. KABLA U STRUJU

Instalacija dovoda struje - taj dovod mora imati svoj poseban osigurač. A to odgovarajući prema snazi i naponu instalovanog aparata. Ove podatke ćete naći na naljepnici sa zadnje ili bočne strane aparata.

Uzemljenje može biti duže od ostalih spojnica. Uredjaj pripojite direktno na struju, a neophodno je da instalirate medju uredjajem i strujom prekidač, i to na udaljenosti 3mm medju samostalnim kontaktima, tako da bi odgovarao važećim normama i opterećenju. Uzemljenje (žuto-zeleno) ne smije biti tim prekidačem prekinuto. Aparat je predvidjen da se uključi u utičnicu, ukoliko ima odgovarajući osigurač.

U svakom slučaju, dovod mora biti postavljen tako da kabel niti na jednom mjestu ne može imati toplotu višu za 50 stupnjeva od sredine u kojoj se nalazi. Prije nego što kabel spojite, uvjerite se da:

- osigurač i razvodi mogu podnijeti opterećenje samog aparata (pogledaj naljepnicu)
- razvodi imaju odgovarajuće uzemljenje a to prema normama i uslovima određenim zakonom
- utičnica ili prekidač su lako pristupni.

Ne preuzimamo bilo kakvu odgovornost u slučaju da se nisu dane instrukcije respektovale ili ako se nije postupalo prema danim uputama.

Prije prve upotrebe pročitajte poglavlje „čišćenje i održavanje“. Uredjaj mora biti uzemljen pomoću već označenih šarafa.



-Utikač dovoda napajanja nikada nemojte uključivati u električnu utičnicu niti je vaditi iz električne utičnice mokrim rukama, niti potezanjem za kabl dovoda napajanja.

-Nemojte koristiti produžne kablove niti utičnice sa više priključaka.

UPUTSTVO ZA UPOTREBU

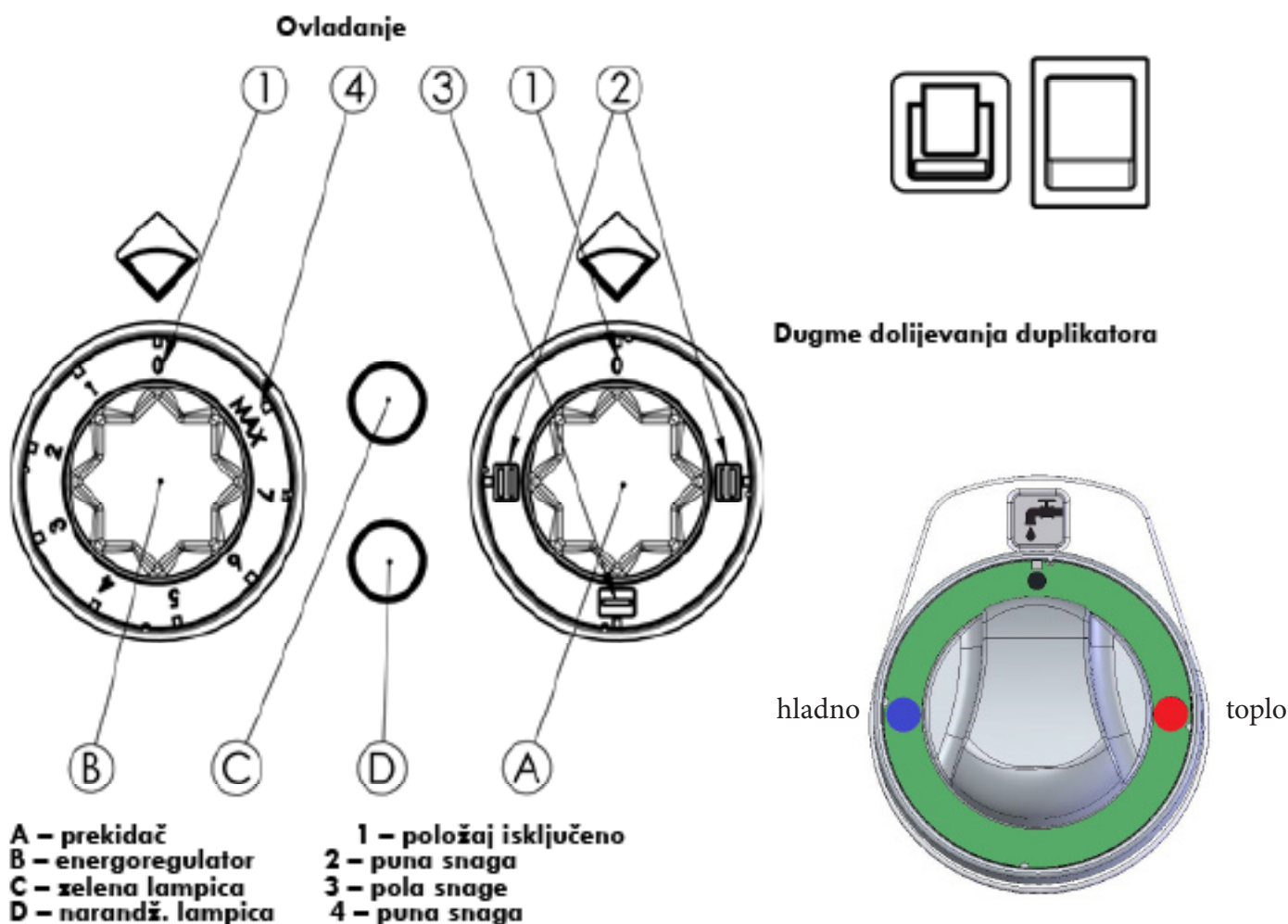
Pozor!

Prije nego što počnete uređaj koristiti, neophodno je sa cijele njegove površine skinuti zaštitnu foliju, a potom ga dobro oprati pomoću deterdženta za sudje, uključujući i posudu. Nakon toga je obrišite čistom krpom namočenom u mlakoj vodi.

Nikad ne ostavljajte uređaj bez nadzora.

Nikad ne uključujte uređaj ako je bez ulja, odnosno ako je nivo ulja ispod dozvoljenog, postoji opasnost požara.

Ukoliko je ulje onečišćeno ili ga koristimo već duže vrijeme, može doći do toga da prekipi. Ne pržite više nego 1 kg nemjernica odjednom. Napunite fritezu uljem za prženje do crte koja se nalazi na bočnoj strani posude. Uključite glavni prekidač (B) a dugmetom (E) izaberite željenu temperaturu, od 90° do 180° C. Kontrolne lampice (C) i (D) će se razsvijetliti. Lampica (C) će svijetliti kada je friteza uključena, a lampica (D) kada su uključeni grijači. Kontrolna lampica (D) se gasi kada postignemo odgovarajuću toplotu. Uređaj isključite kada okrenete dugme (E) date do položaja 0, a takodjer i prekidač (B).



OVLANĐANJE AUTOKLAVE:

Autoklav sistem radi na istom principu kao i pretis lonac. Da bi uređaj bezbjedno radio, moramo biti sigurni da su sve 4 klapne dotegnute na maksimalnu dozvoljenu granicu.

POZOR!!!!

Prije otvaranja klapne koja osigurava autoklav sistem, neophodno je ispustiti paru preko sigurnosnog ventila koji se nalazi na sredini poklopca. Ukoliko se ne budete pridržavali ovog postupka, proizvođač ne snosi nikakvu odgovornost za štetu na imovini ili za fizičke povrede uzrokovane neodgovornim korištenjem.

ČIŠĆENJE I ODRŽAVANJE

POZOR!

Aparat ne smijete čistiti vodom koja je pod pritiskom; npr. tuš, crijevo. Čistite ga svakodnevno. Dnevno održavanje produžava život i upotrebnu vrijednost aparata. Prije početka čišćenja, provjerite da li ste aparat isključili iz struje. Uvijek provjerite glavni dovod. Dijelove od nehrđajućeg čelika čistite vlažnom krpom i tekućim deterdžentom za sudje, potom operite čistom vodom i detaljno osušite. Nemojte koristiti abrazivna ili korozivna sredstva za čišćenje.

Svaki dan poslije upotrebe trebate promazati površinu trenja ispušnog ventila prehranbenom vazelinom. U slavine sa gumicom, ta vazelina produžava životnost iste.

Nikdy ne vypouštějte obsah kotle bez sítko odtoku. Hrozí ucpání a znehodnocení ventilu.

Pozor! Prije nego što počnete uređaj koristiti, skinite zaštitne folije i operite ga prema gore navedenim instrukcijama.

Jak postupovat v případě poruchy?

Vypněte elektrický (plynový) přívod a zavolejte servisní organizaci prodejce.

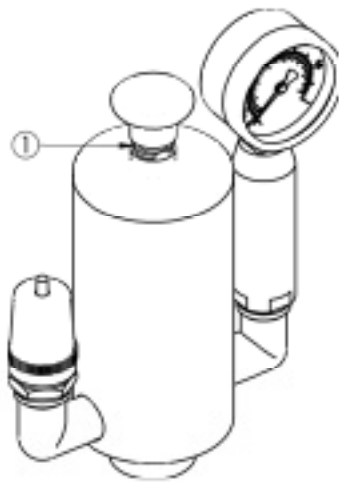
UPOZORENJE

Garancija se ne odnosi na potrošne dijelove (kao što su: gumice, lampice, stakleni i plastični dijelovi...). Garancija se također ne odnosi na uređaj koji nije priključen i instaliran prema uputama, odgovornim serviserom, a prema danim normama. Isto tako, ukoliko su bile napravljene izmjene ili oprave koje nisu predviđene (oprave unutrašnje instalacije) ili ako je uređaj korišten nepoučenim ili neprofesionalnim osobljem, odnosno protivno instrukcijama navedenim u uputstvu za upotrebu. Također, garancija ne vrijedi ukoliko ja aparat oštećen vanjskim ili klimatskim uticajima.

Neophodno je provoditi kontrolu uređaja svakih 6 mjeseci. Tu kontrolu treba da provede autorizovani serviser. U slučaju ne održavanja ove preporuke, proizvođač se ograđuje od bilo kakve odgovornosti za štetu na imovini ili zdravlju.

Ambalažu pakovanja i uređaj poslije kraja njegove upotrebne vrijednosti, predajte na otpad, a to prema danim propisima o likvidaciji.

ZAKLJUČAVANJE DOLIKUJE



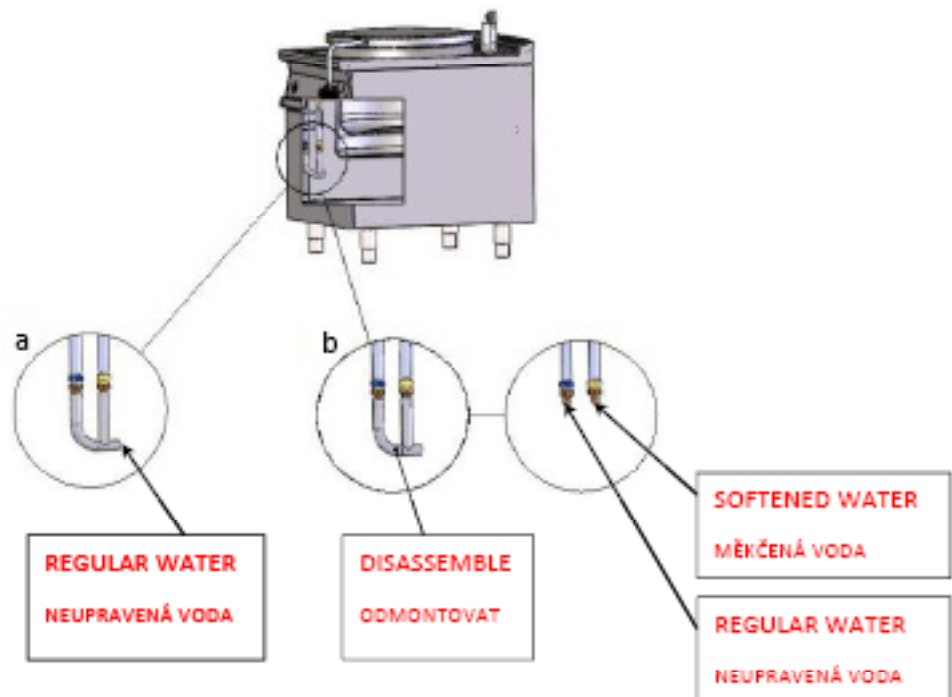
Add 1



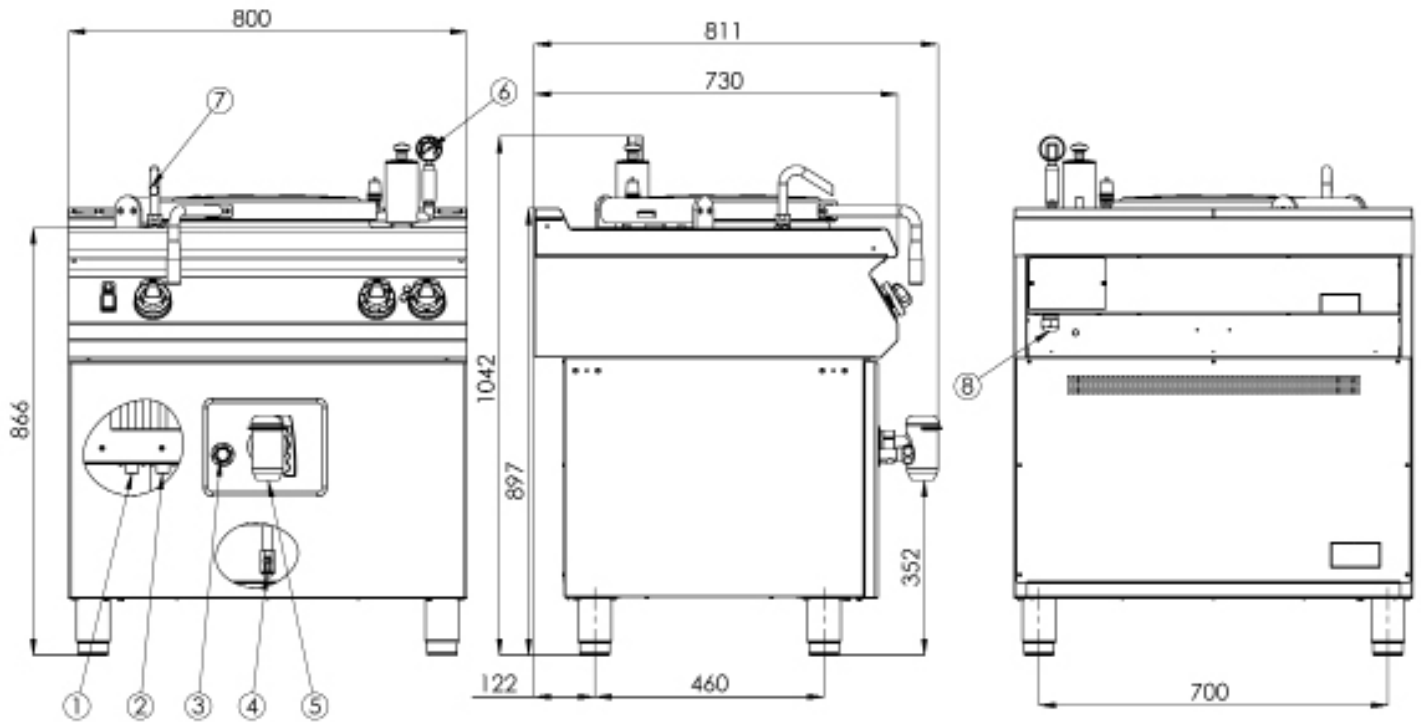
Add 2

a) For regular water only / Pouze pro neupravenou vodu

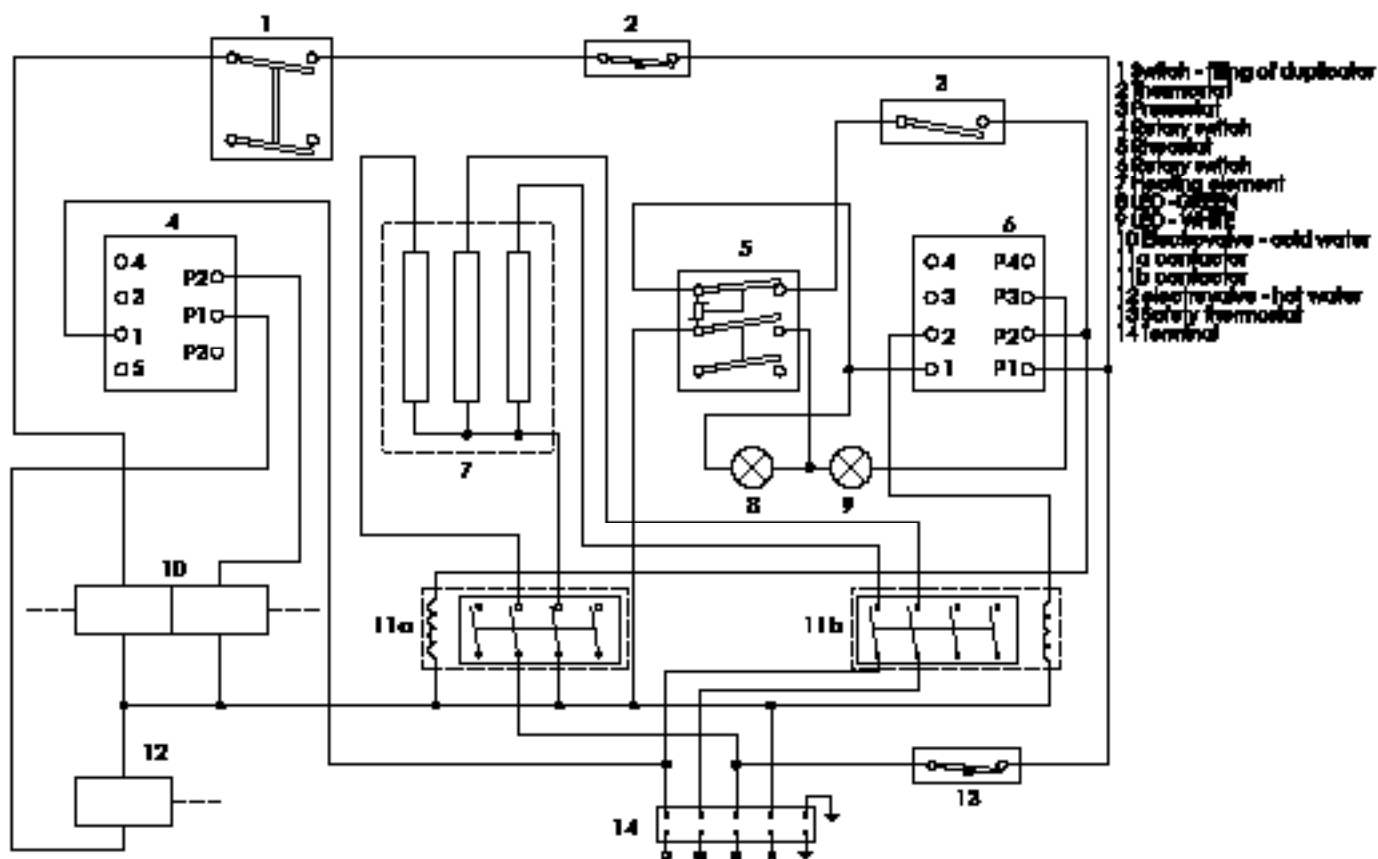
b) For softened and regular water / Pro měkčenou a neupravenou vodu



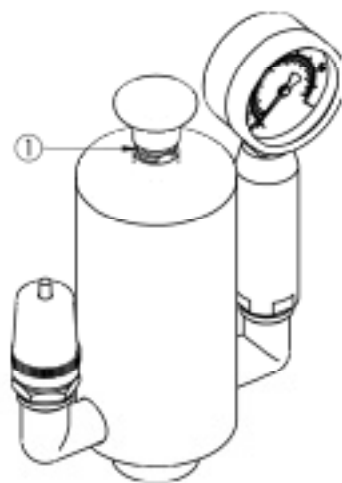
DIMENZIONALNA SLIKA



- 1 - cold water supply
- 2 - hot water supply
- 3 - controll valve of duplicator
- 4 - output valve of duplicator
- 5 - output
- 6 - safety valve + nanmometer
- 7 - filling tube
- 8 - eletric supply



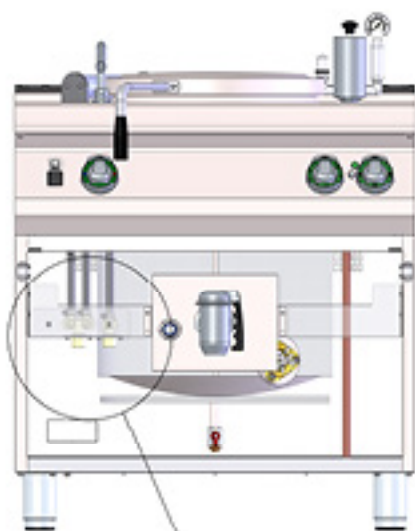
EL CONNECTION DIAGRAM BI-780 E



Add 1 pozn. 1



Add 2 pozn. 2



FITTING OF DUPLICATOR
NAPOUŠTĚNÍ DUPLIKÁTORU

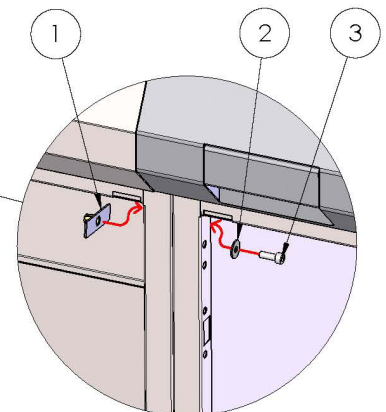
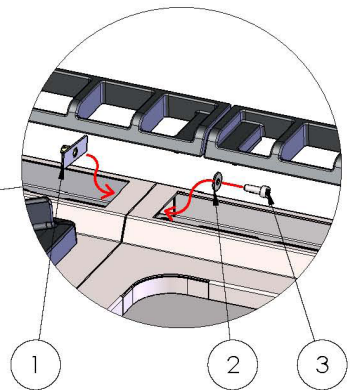
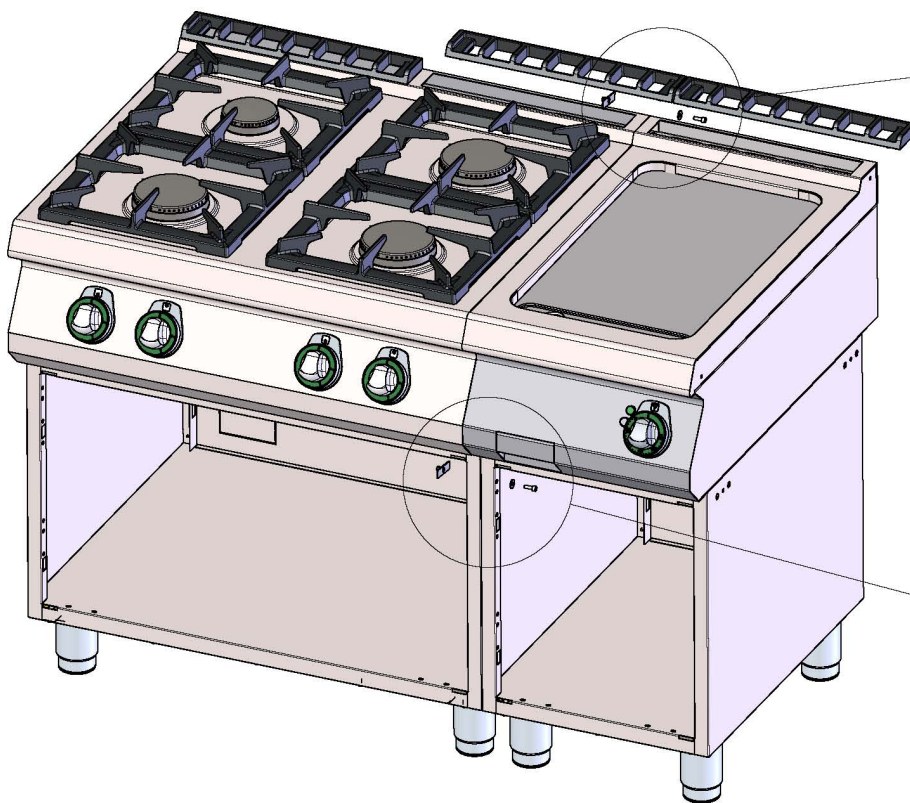
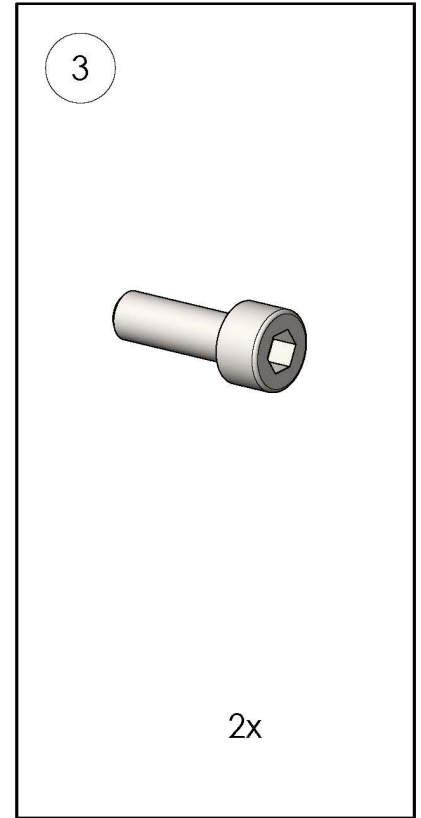
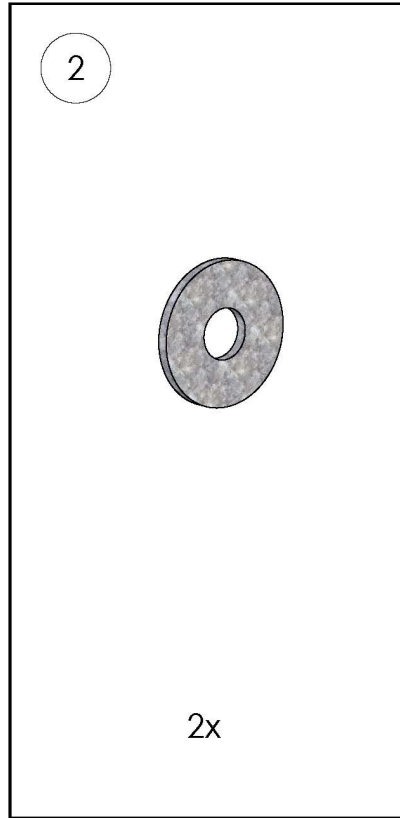
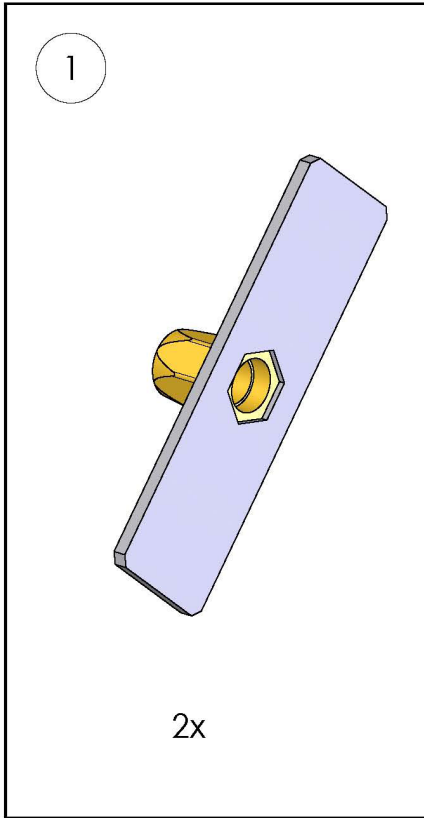
INPUT TO FILLING TUBE
PŘÍVOD DO NAPOUŠTĚČÍHO RAMÍNKU

PLACE FOR ELECTROVALVE ON SOFTET WATER
PROSTOR PRO ELEKTROVENTIL NA MĚKČENOU VODU

HOT WATER
TEPLÁ VODA

COLD WATER
STUDENÁ VODA

priključne module



List of service organizations:

CZ: RM GASTRO CZ s. r. o., Náchodská 818/16, Praha 9

Tel. +420 281 926 604, info@rmgastro.cz, www.rmgastro.cz

SK: RM Gastro Slovakia, Rybárska 1, Nové Město nad Váhom

Tel.: +421 32 7717061, obchod@rmgastro.sk, www.rmgastro.sk

PL: RM GASTRO Polska Sp. z o. o., ul. Skoczowska 94, 43-450 Ustroń

Tel.: +33 854 73 26, www.rmgastro.pl